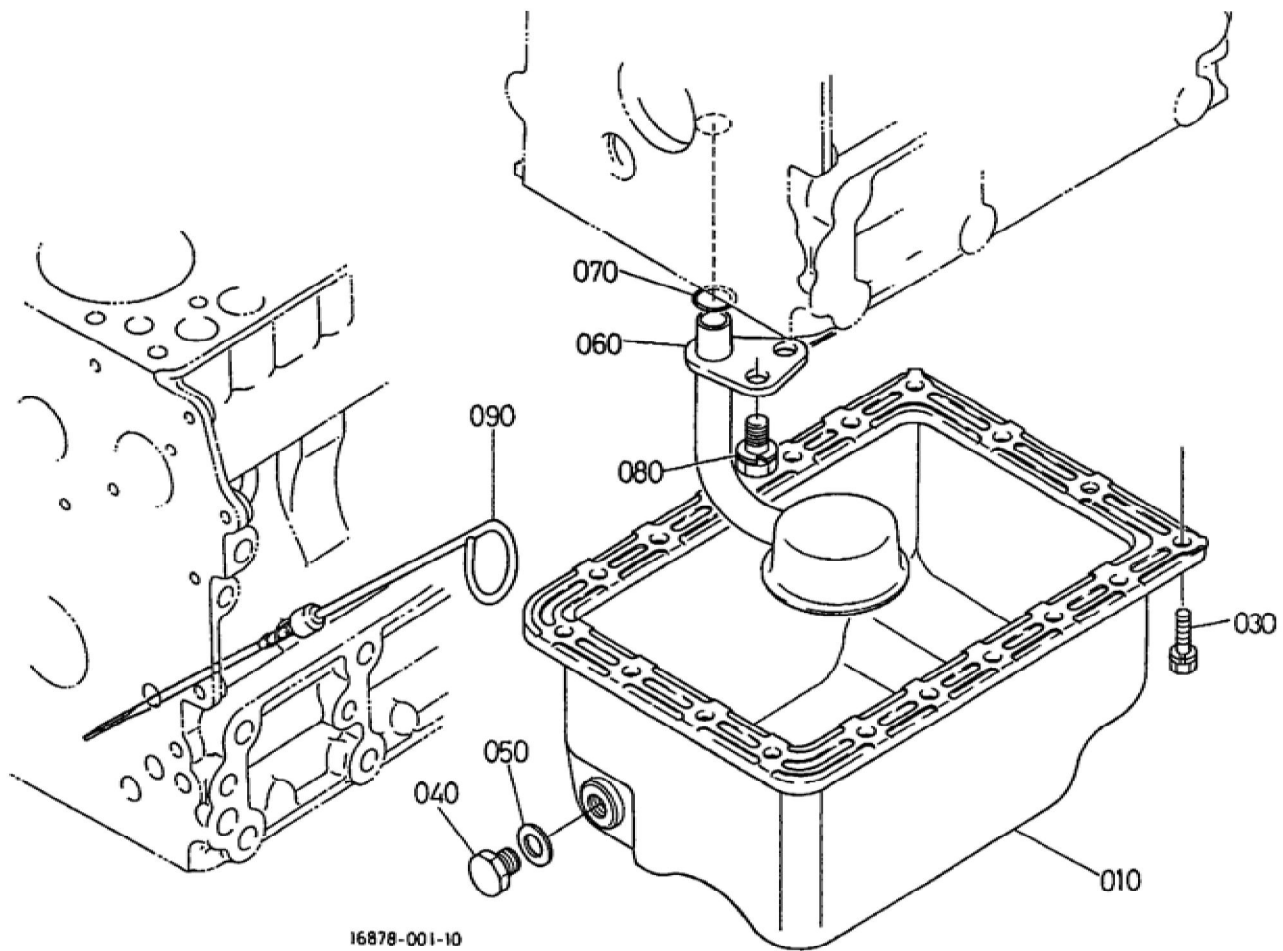


## BKIDA0059 &gt;&gt; K-008 &gt;&gt; MOTOR / BASIC ENGINE &gt;&gt; S00100 KURBELGHAEUSE / CRANK CASE

Update Date : 01-06-2016 Print Date : 01-02-2022

No.	Part Number	Part Name (POL)	Part Name (ENG)	QTY	IC	Serial No./PIN	Kg	Remarks
010	16682-01010	KOMP.KURBELGEHAEUSE	COMP.CRANKCASE	1			21.800	
020	16851-96260	KAPPE	CAP SEALING	3			0.005	
030	16851-96270	KAPPE	CAP SEALING	5			0.005	
040	15451-96270	KAPPE	CAP SEALING	2			0.010	
050	15261-96010	STOPFEN	PLUG	5			0.002	
060	15521-96020	STOPFEN	PLUG	3			0.003	
070	15521-96030	STOPFEN	PLUG	1			0.007	
080	15261-96160	STOPFEN	PLUG EXPANSION	1			0.020	
090	05012-00508	ZYLINDERSTIFT	PIN STRAIGHT	2			0.001	
100	05012-00814	ZYLINDERSTIFT	PIN STRAIGHT	2			0.006	
110	15221-33650	ROHRSTIFT	PIN PIPE	1			0.004	
120	15231-33960	ROHRSTIFT	PIN PIPE	2			0.001	
130	17331-59190	ROHRSTIFT	PIN PIPE	2			0.002	
140	16851-16212	DECKEL	COVER FUEL CAMSHAFT	1			0.030	
150	15221-33700	O RING	O RING	1			0.001	
160	15321-73340	WASSERROHR	PIPE WATER RETURN	1			0.016	
170	16851-35010	GRP.OELPUMPE	ASSY PUMP OIL	1			0.240	
180	16851-35152	DICHTUNG,OELPUMPE	GASKET OIL PUMP NA	1			0.001	
190	15841-91050	BOLZEN	BOLT	3			0.010	
200	15841-35660	ZAHNRAD	GEAR OIL PUMP DRIVE	1			0.113	
210	05712-00408	KEIL	KEY FEATHER	1			0.001	
220	02783-50100	MUTTER	NUT FLANGE	1			0.010	
230	15531-39010	OELDRUCKSCHALTER	SWITCH OIL	1			0.032	



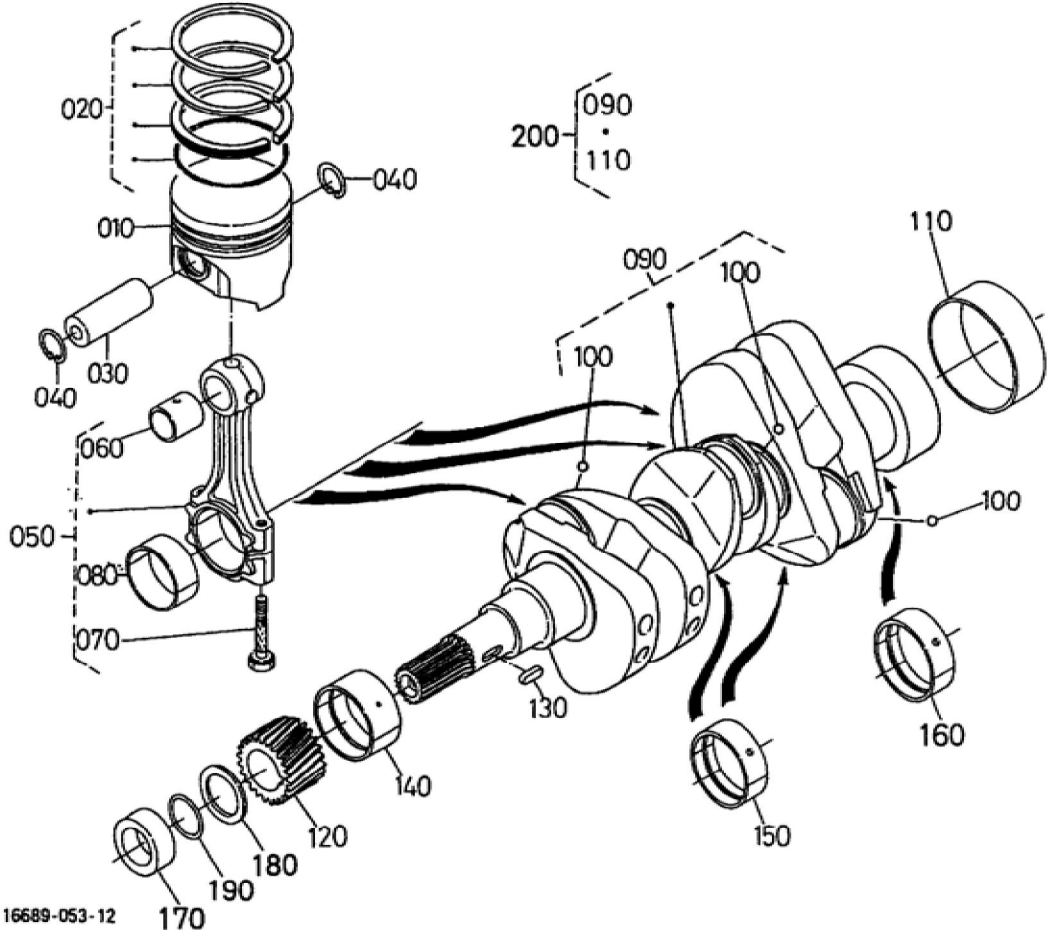
16878-001-10

## BKIDA0059 &gt;&gt; K-008 &gt;&gt; MOTOR / BASIC ENGINE &gt;&gt; S00200 OELWANNE / OIL PAN

Update Date : 01-06-2016 Print Date : 01-02-2022

No.	Part Number	Part Name (POL)	Part Name (ENG)	QTY	IC	Serial No./PIN	Kg	Remarks
010	16867-01500	KOMP.OELW ANNE	COMP.OIL PAN	1			1.100	
030	01023-50612	BOLZEN	BOLT	18			0.005	
040	15221-33750	STOPFEN	PLUG	1			0.032	
050	15109-33660	DICHTUNGSP LATTE	GASKET	1			0.001	
060	16851-32110	OELFILTER	FILTER OIL	1			0.110	
070	04814-00160	O RING	O RING	1			0.001	
080	01123-60814	BOLZEN	BOLT	1			0.010	
090	16867-36412	OELMESSST AB	GAUGE OIL	1			0.023	

Update Date : 01-06-2016 Print Date : 01-02-2022



Update Date : 01-06-2016 Print Date : 01-02-2022

No.	Part Number	Part Name (POL)	Part Name (ENG)	QTY	IC	Serial No./PIN	Kg	Remarks
010	16851-21112	KOLBEN	PISTON	3			0.230	STD
010	16851-21900	KOLBEN	PISTON	3			0.260	+0.25mm
020	16853-21050	GRP.KOLBEN RING	ASSY PISTON RING	3			0.040	STD
020	16853-21090	GRP.KOLBEN RING	ASSY PISTON RING	3			0.040	+0.25mm
030	16851-21310	KOLBENBOLZEN	PIN PISTON	3			0.100	
040	15261-21330	SEEGERING	CIR CLIP PISTON PIN	6			0.001	
050	16851-22010	PLEUELSTANGE KOMP.	ASSY ROD CONNECTING	3			0.330	
060	16851-21980	BUCHSE,KOLBENSTIFT	BUSH PISTON PIN	3			0.010	
070	16851-22140	BOLZEN	BOLT CONNECTING ROD	6			0.012	
080	16851-22320	LAGERSCHALE	METAL CRANKPIN M	3			0.040	STD SET
080	15861-22970	LAGERSCHALE	METAL CRANKPIN	3			0.030	-0.2mm SET
080	15861-22980	LAGERSCHALE	METAL CRANKPIN	3			0.030	-0.4mm SET
090	16863-23010	BAUGRP.KURBELWELLE	COMP.CRANKSHAFT	1		<=836788	6.600	
090	16861-23010	KOMP.KURBELWELLE	COMP.CRANKSHAFT	1	=	=>836789	5.560	
100	07715-03207	KUGEL	BALL	3			0.001	
110	19215-23280	MUFFE	SLEEVE CRANKSHAFT	1			0.050	
120	15841-24110	ZAHNRAD	GEAR CRANK	1			0.140	
130	05712-00515	KEIL	KEY FEATHER	1			0.003	
140	15861-23470	LAGERSCHALE	METAL CRANKSHAFT	1			0.030	STD
140	15861-23910	LAGERSCHALE	METAL CRANKSHAFT	1			0.040	-0.2mm
140	15861-23920	LAGERSCHALE	METAL CRANKSHAFT	1			0.040	-0.4mm

Update Date : 01-06-2016 Print Date : 01-02-2022

No.	Part Number	Part Name (POL)	Part Name (ENG)	QTY	IC	Serial No./PIN	Kg	Remarks
150	16861-23490	LAGERSCHALE	METAL CRANKSHAFT M	2			0.020	STD SET
150	15861-23860	LAGERSCHALE	METAL CRANKSHAFT	2			0.030	-0.2mm SET
150	15861-23870	LAGERSCHALE	METAL CRANKSHAFT	2			0.030	-0.4mm SET
160	16861-23480	LAGERSCHALE	METAL CRANKSHAFT M	1			0.030	STD SET
160	15694-23930	LAGERSCHALE	METAL CRANKSHAFT	1			0.040	-0.2mm SET
160	15694-23940	LAGERSCHALE	METAL CRANKSHAFT	1			0.046	-0.4mm SET
170	15841-23250	HALSRING	COLLAR CRANKSHAFT	1			0.050	
180	15881-23310	OELABSTREIFRING	SLINGER OIL	1			0.004	
190	19837-96760	O RING	O RING	1		<=WH9999	0.001	
190	04814-16220	O RING	O RING	1	=	=>WJ0001	0.001	
200	16863-23030	BAUGRP.KURBELWELLE	ASSY CRANKSHAFT	1		=>836789	5.700	

Update Date : 01-06-2016 Print Date : 01-02-2022

210 15261-2353-0

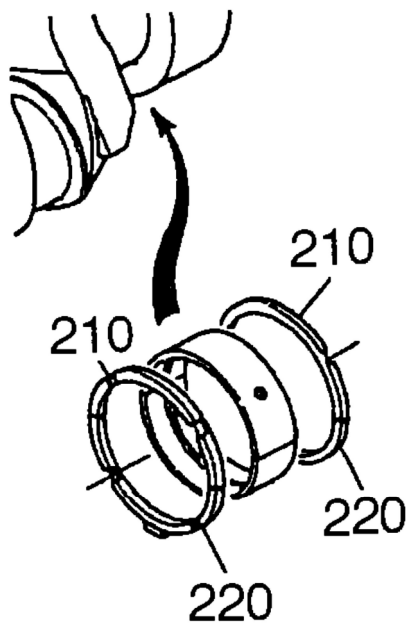
210 15261-2395-0

210 15261-2396-0

220 15261-2354-0

220 15261-2397-0

220 152612398-0

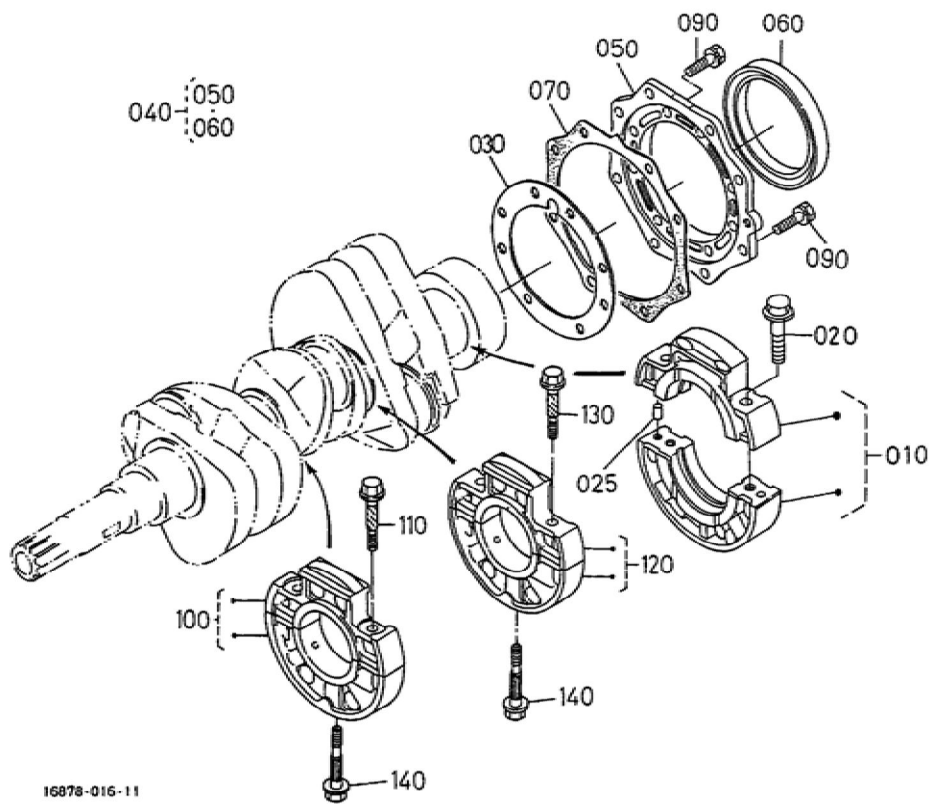




Update Date : 01-06-2016 Print Date : 01-02-2022

No.	Part Number	Part Name (POL)	Part Name (ENG)	QTY	IC	Serial No./PIN	Kg	Remarks
210	15261-23530	LAGERSCHALE	METAL SIDE	2		<=WT2678	0.006	STD
210	15261-23950	LAGERSCHALE	METAL SIDE	2		<=WT2678	0.006	+0.2mm
210	15261-23960	LAGERSCHALE	METAL SIDE	2		<=WT2678	0.007	+0.4mm
220	15261-23540	LAGERSCHALE	METAL SIDE	2		<=WT2678	0.007	STD
220	15261-23970	LAGERSCHALE	METAL SIDE	2		<=WT2678	0.006	+0.2mm
220	15261-23980	LAGERSCHALE	METAL SIDE	2		<=WT2678	0.007	+0.4mm

Update Date : 01-06-2016 Print Date : 01-02-2022



16878-016-11



**Download the full PDF manual instantly.**

**Our customer service e-mail:**

**[aservicemanualpdf@yahoo.com](mailto:aservicemanualpdf@yahoo.com)**