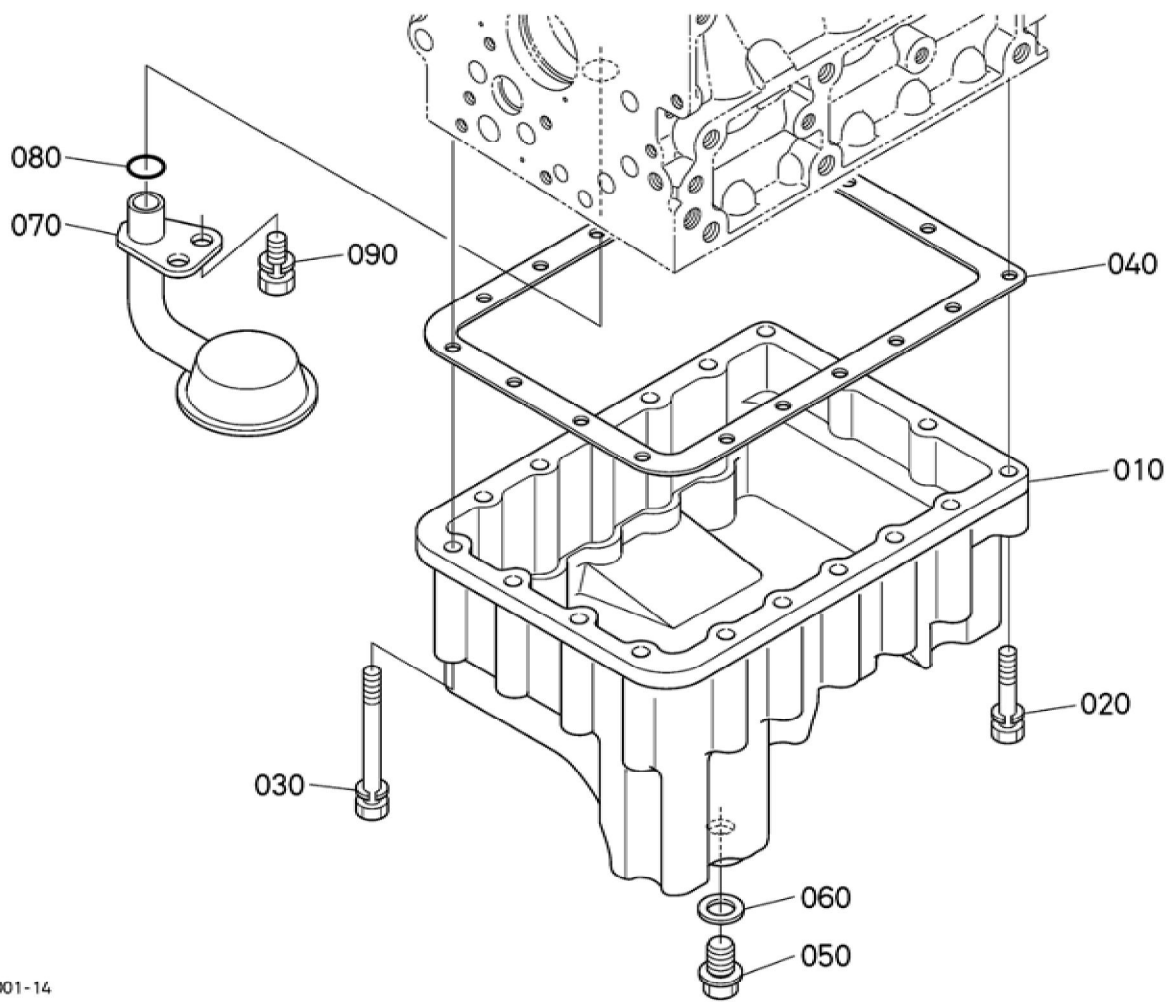


BKIDK5303 >> GZD21-2HD-S5 >> MOTOR / ENGINE >> 000100 KURBELGHAEUSE / CRANKCASE

Update Date : 29-02-2020 Print Date : 05-04-2022

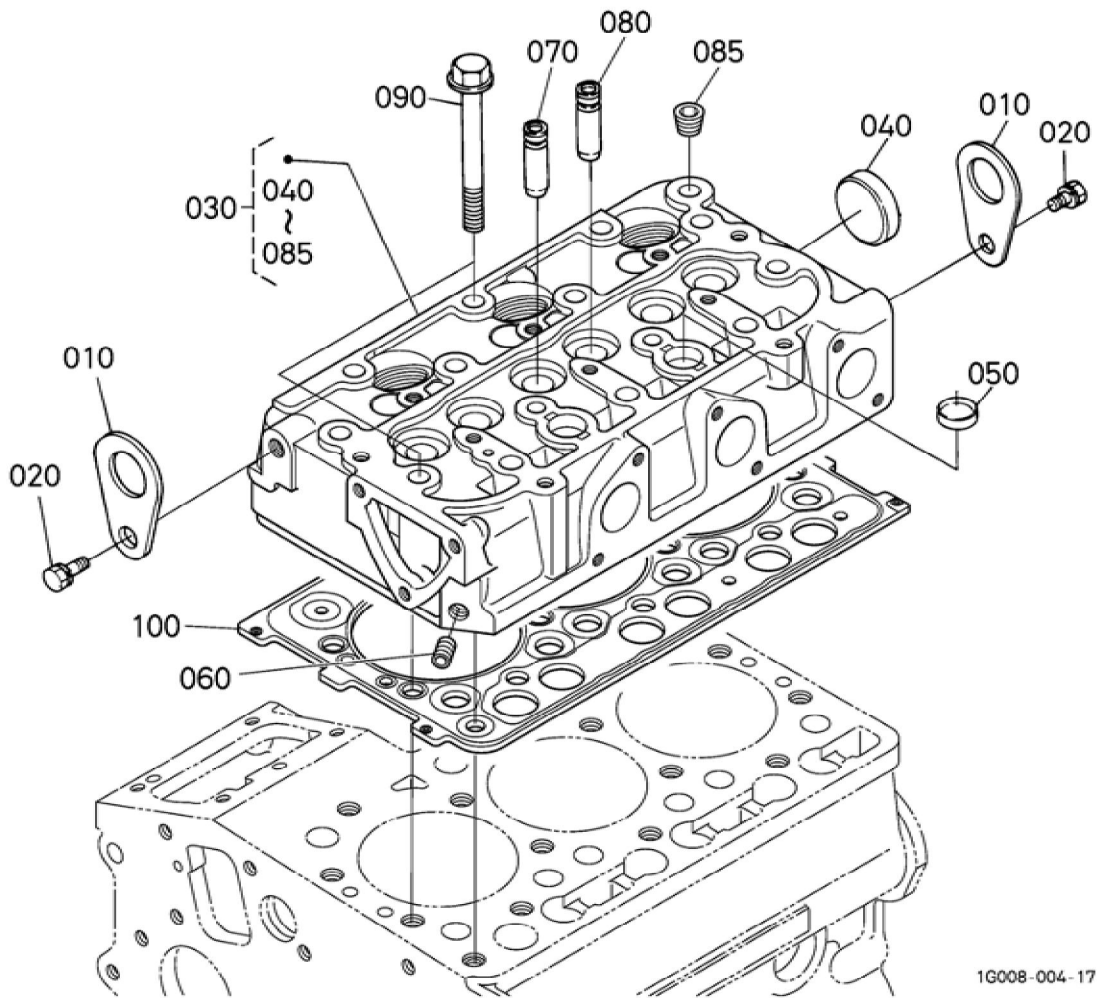
| No. | Part Number | Part Name (POL) | Part Name (ENG) | QTY | IC | Serial No./PIN | Kg | Remarks |
|-----|-------------|---------------------|---------------------|-----|----|----------------|--------|---------|
| 010 | 1A307-01022 | KOMP.KURBELGEHAEUSE | CRANKCASE, COMP | 1 | | | 19.510 | |
| 020 | 16851-96260 | KAPPE | CAP,SEALING | 3 | | | 0.005 | |
| 030 | 16851-96270 | KAPPE | CAP,SEALING | 5 | | | 0.005 | |
| 040 | 15451-96270 | KAPPE | CAP,SEALING | 2 | | | 0.010 | |
| 050 | 15261-96010 | STOPFEN | PLUG | 5 | | | 0.002 | |
| 060 | 15521-96020 | STOPFEN | PLUG | 3 | | | 0.003 | |
| 070 | 15521-96030 | STOPFEN | PLUG | 1 | | | 0.007 | |
| 080 | 15261-96160 | STOPFEN | PLUG,EXPANSION | 1 | | | 0.020 | |
| 090 | 05012-00508 | ZYLINDERSTIFT | PIN,STRAIGHT | 2 | | | 0.001 | |
| 100 | 05012-00814 | ZYLINDERSTIFT | PIN,STRAIGHT | 2 | | | 0.006 | |
| 110 | 15221-33650 | ROHRSTIFT | PIN,PIPE | 1 | | | 0.004 | |
| 120 | 17331-59190 | ROHRSTIFT | PIN,PIPE | 2 | | | 0.002 | |
| 130 | 17331-59190 | ROHRSTIFT | PIN,PIPE | 2 | | | 0.002 | |
| 140 | 16851-16212 | DECKEL | COVER,FUEL CAMSHAFT | 1 | | | 0.030 | |
| 160 | 16871-73020 | GRP.ABLASSHAHN | COCK,ASSY (DRAIN) | 1 | | | 0.034 | |



Update Date : 29-02-2020 Print Date : 05-04-2022

| No. | Part Number | Part Name (POL) | Part Name (ENG) | QTY | IC | Serial No./PIN | Kg | Remarks |
|-----|-------------|------------------------|--------------------|-----|----|----------------|-------|---------|
| 010 | 1G008-01610 | OELWANNE | PAN,OIL | 1 | | | 1.280 | |
| 020 | 01023-50640 | BOLZEN | BOLT,SEMS | 4 | | | 0.010 | |
| 030 | 01023-50670 | BOLZEN | BOLT,SEMS | 14 | | | 0.015 | |
| 040 | 19462-01620 | DICHTUNGSP LATTE | GASKET(OIL PAN) | 1 | | | 0.010 | |
| 050 | 13901-33750 | ENTLEERUN GSSTOPFEN | PLUG,DRAIN | 1 | | | 0.025 | |
| 060 | 6C090-58960 | DICHTUNGSP LATTE | GASKET | 1 | | | 0.005 | |
| 070 | 15857-32113 | OELFILTER | FILTER(OIL) | 1 | | | 0.120 | |
| 080 | 04814-00160 | O RING | O RING | 1 | | | 0.001 | |
| 090 | 01123-50814 | BOLZEN | BOLT,SEMS | 1 | | | 0.010 | |

Update Date : 29-02-2020 Print Date : 05-04-2022

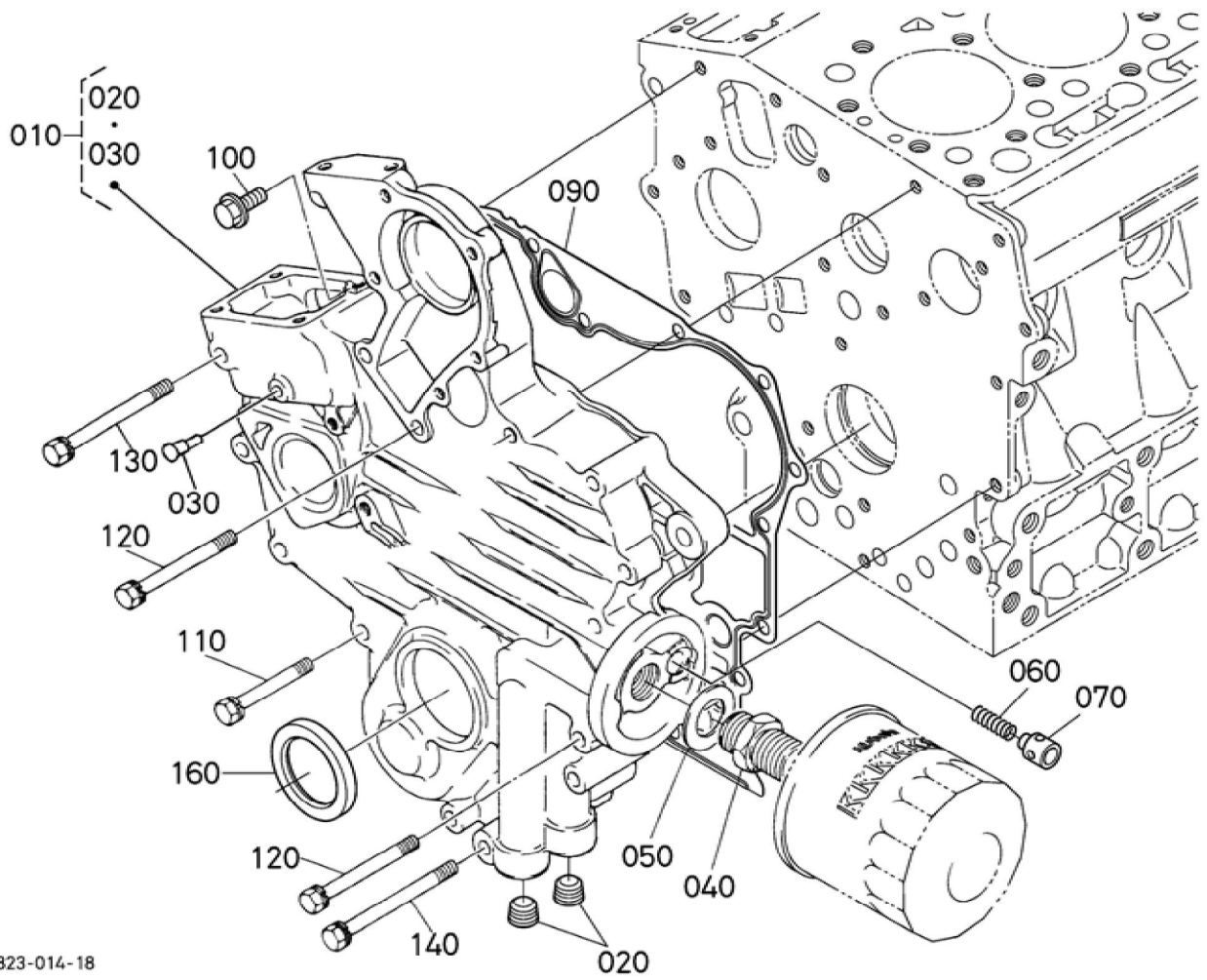


BKIDK5303 >> GZD21-2HD-S5 >> MOTOR / ENGINE >> 000300 ZYLINDERKOPF / CYLINDER HEAD

Update Date : 29-02-2020 Print Date : 05-04-2022

| No. | Part Number | Part Name (POL) | Part Name (ENG) | QTY | IC | Serial No./PIN | Kg | Remarks |
|-----|-------------|-----------------------|-----------------------|-----|----|----------------|-------|---------|
| 010 | 15221-01750 | MOTORHAKEN | HOOK,ENGINE | 2 | | | 0.040 | |
| 020 | 01123-50816 | SCHRAUBE | BOLT,SEMS | 2 | | | 0.011 | |
| 030 | 1J093-03040 | KOMP.ZYLINDERKOPF | HEAD,CYLINDER,COMP | 1 | | | 7.300 | |
| 040 | 15321-96260 | KAPPE | CAP,SEALING | 1 | | | 0.014 | |
| 050 | 15261-03370 | STOEPSEL,ABDICHTUNG | CAP,SEALING | 2 | | | 0.005 | |
| 060 | 15261-96010 | STOPFEN | PLUG | 1 | | | 0.002 | |
| 070 | 15841-13540 | EINLASSVENTILFUEHRUNG | GUIDE,VALVE (INLET) | 3 | | | 0.014 | |
| 080 | 15841-13560 | AUSLASSVENTILFUEHRUNG | GUIDE (EXHAUST VALVE) | 3 | | | 0.014 | |
| 085 | 1G090-96010 | STECKER | PLUG | 1 | | | 0.003 | |
| 090 | 14601-03450 | ZYLINDERKOPFSCHRAUBE | BOLT,HEAD (CYLINDER) | 14 | | | 0.035 | |
| 100 | 1J092-03310 | ZYLINDERKOPFDICHTUNG | GASKET (CYL.HEAD) | 1 | | | 0.135 | |

Update Date : 29-02-2020 Print Date : 05-04-2022

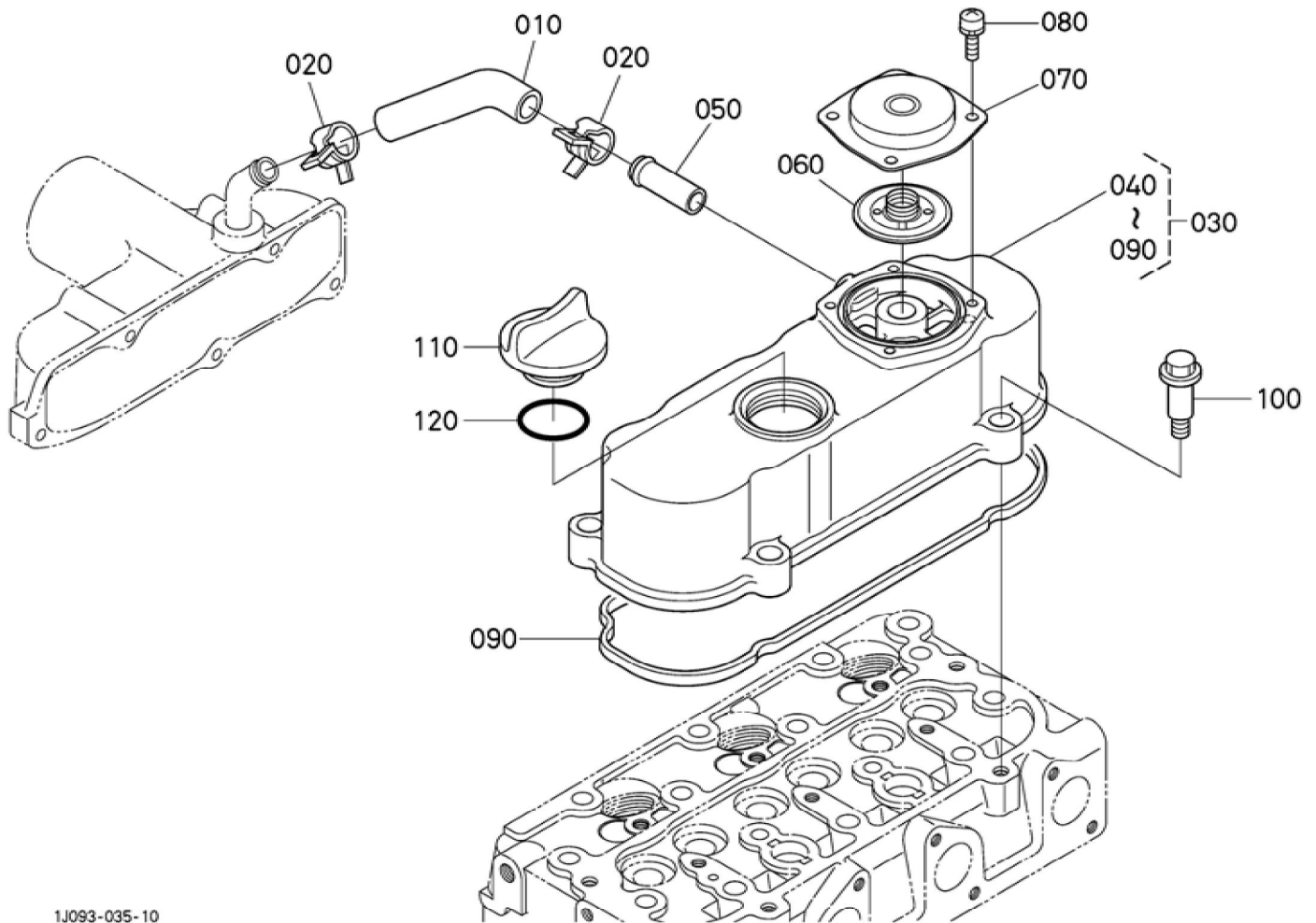


BKIDK5303 >> GZD21-2HD-S5 >> MOTOR / ENGINE >> 000400 GETRIEBE GEHAEUSE / GEAR CASE

Update Date : 29-02-2020 Print Date : 05-04-2022

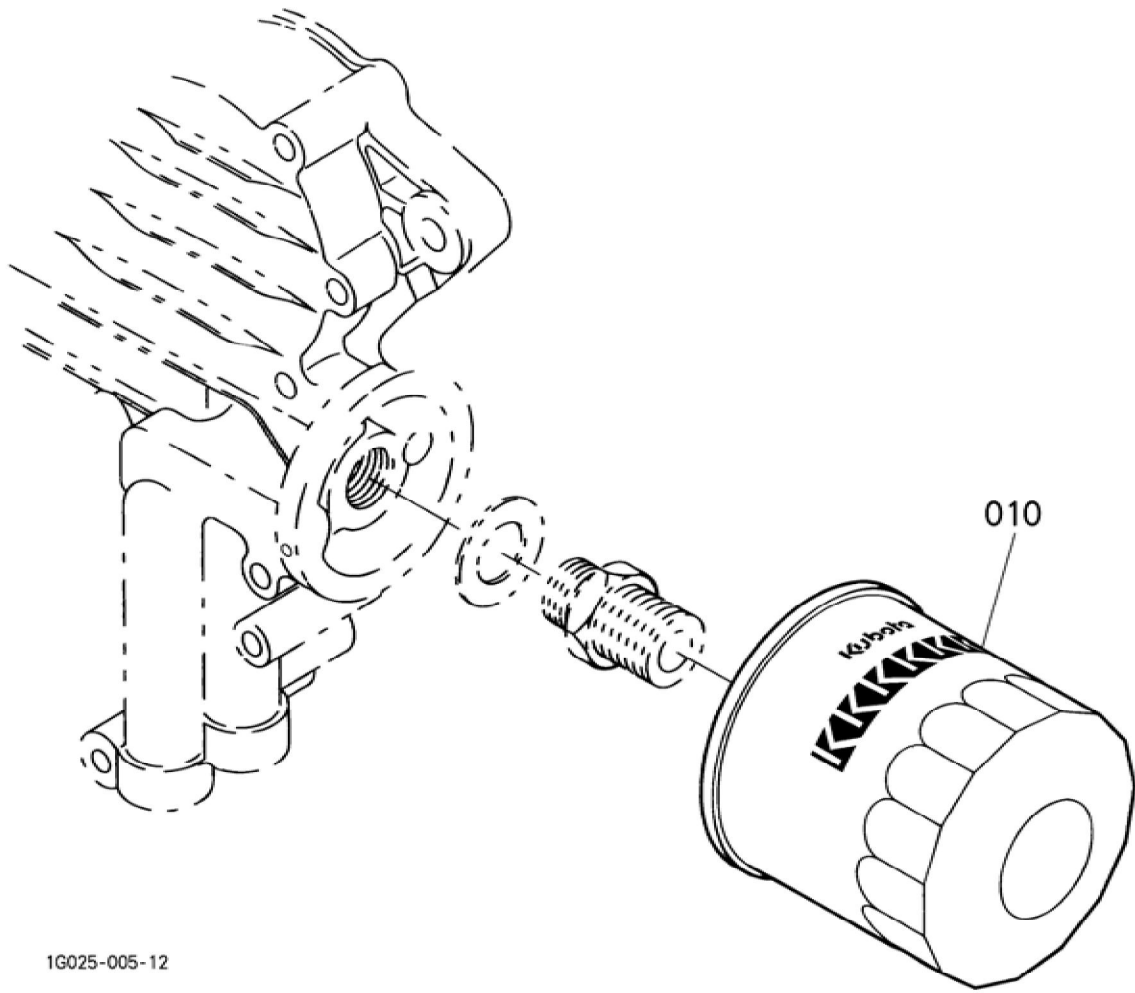
| No. | Part Number | Part Name (POL) | Part Name (ENG) | QTY | IC | Serial No./PIN | Kg | Remarks |
|-----|-------------|----------------------|-------------------|-----|----|----------------|-------|---------|
| 010 | 16823-04024 | KMP.GETRIEBEGEHAEUSE | COMP.CASE, GEAR | 1 | | | 1.700 | |
| 020 | 15521-96030 | STOPFEN | PLUG | 2 | | | 0.007 | |
| 030 | 15841-56280 | STARTFEDERSTIFT | PIN(START SPRING) | 1 | | | 0.005 | |
| 040 | 15241-32290 | VERBINDUNGSSTUECK | JOINT,PIPE | 1 | | | 0.053 | |
| 050 | 15841-94010 | SCHEIBE | WASHER,PLAIN | 1 | | | 0.003 | |
| 060 | 1J092-36950 | FEDER | SPRING | 1 | | | 0.004 | |
| 070 | 1J050-36930 | UEBERLAUFVENTIL | VALVE (RELIEF) | 1 | | | 0.005 | |
| 090 | 16871-04130 | DICHTUNG | GASKET,GEAR CASE | 1 | | | 0.080 | |
| 100 | 01754-50616 | SCHRAUBE | BOLT,FLANGE | 1 | | | 0.006 | |
| 110 | 01023-50650 | BOLZEN | BOLT,SEMS | 8 | | | 0.012 | |
| 120 | 15841-91010 | BOLZEN | BOLT | 3 | | | 0.014 | |
| 130 | 01023-50670 | BOLZEN | BOLT,SEMS | 1 | | | 0.015 | |
| 140 | 01023-50675 | BOLZEN | BOLT,SEMS | 1 | | | 0.010 | |
| 160 | 1J094-04140 | OELDICHTUNGSRING | SEAL,OIL | 1 | | | 0.013 | |

Update Date : 29-02-2020 Print Date : 05-04-2022



Update Date : 29-02-2020 Print Date : 05-04-2022

| No. | Part Number | Part Name (POL) | Part Name (ENG) | QTY | IC | Serial No./PIN | Kg | Remarks |
|-----|-------------|--------------------------|----------------------------|-----|----|----------------|-------|---------|
| 010 | 1G958-05514 | ROHR | TUBE (BREATHER) | 1 | | | 0.010 | |
| 020 | 09318-88125 | SCHLAUCHS CHELLE | CLAMP,HOSE | 2 | | | 0.001 | |
| 030 | 1G958-14504 | VENTILDECK EL | COVER,CYL. HEAD | 1 | | | 0.600 | |
| 040 | 1G958-14512 | VENTILDECK EL | COVER,CYL. HEAD | 1 | | | 0.510 | |
| 050 | 16241-73370 | ROHR | PIPE,WATER RETURN | 1 | | | 0.007 | |
| 060 | 1G911-05203 | ENTLUEFTER | COMP VALVE,BREA THER | 1 | | | 0.010 | |
| 070 | 1G801-05120 | ENTLUEFTER DECKEL | COVER,BREA THER | 1 | | | 0.035 | |
| 080 | 03024-50510 | SCHRAUBE | SCREW,SEM S(PAN HEAD) | 4 | | | 0.002 | |
| 090 | 1G958-14520 | VENTILDECK ELDICHTUNG | GASKET,HEA D COVER | 1 | | | 0.009 | |
| 100 | 1G911-91022 | BOLZEN | BOLT | 4 | | | 0.015 | |
| 110 | E9151-33140 | OELEINFUEL LSTOPFEN | PLUG(OIL FILLER) | 1 | | | 0.017 | |
| 120 | 1J001-96770 | O RING | O RING | 1 | | | 0.001 | |





Download the full PDF manual instantly.

Our customer service e-mail:

aservicemanualpdf@yahoo.com