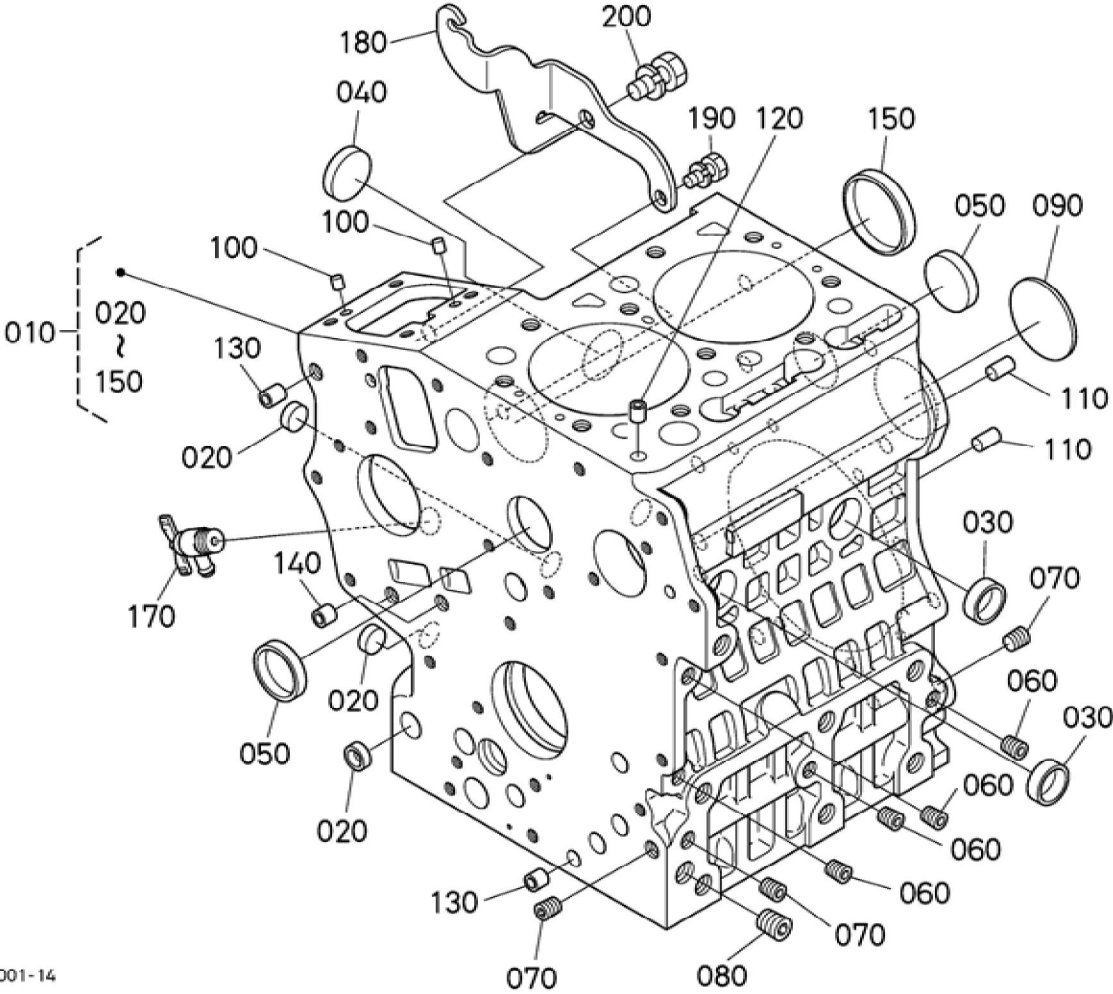


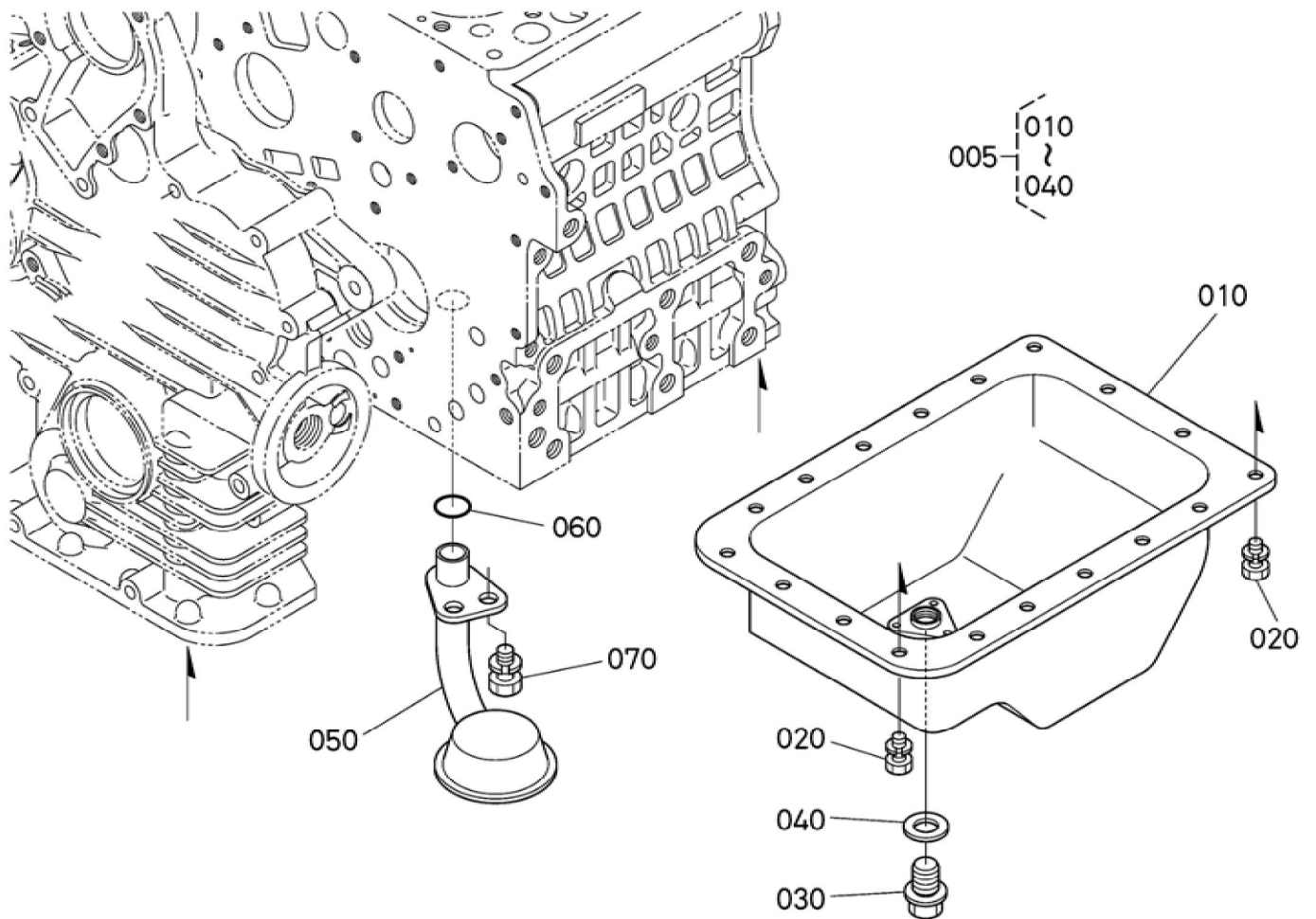
Update Date : 29-02-2020 Print Date : 04-04-2022



BKIDK5298 >> GZD15-3LD-S5 >> MOTOR / ENGINE >> 000100 KURBELGHAEUSE / CRANKCASE

Update Date : 29-02-2020 Print Date : 04-04-2022

No.	Part Number	Part Name (POL)	Part Name (ENG)	QTY	IC	Serial No./PIN	Kg	Remarks
010	1G460-01020	KOMP.KURBELGEHAEUSE	CRANKCASE, COMP	1			15.000	
020	16851-96260	KAPPE	CAP,SEALING	3			0.005	
030	16851-96270	KAPPE	CAP,SEALING	2			0.005	
040	06311-85025	STOEPSSEL, ABDICHTUNG	CAP,SEALING	1			0.010	
050	15451-96270	KAPPE	CAP,SEALING	2			0.010	
060	15261-96010	STOPFEN	PLUG	4			0.002	
070	15521-96020	STOPFEN	PLUG	3			0.003	
080	15521-96030	STOPFEN	PLUG	1			0.007	
090	15261-96160	STOPFEN	PLUG,EXPANSION	1			0.020	
100	05012-00508	ZYLINDERSTIFT	PIN,STRAIGHT	2			0.001	
110	05012-00814	ZYLINDERSTIFT	PIN,STRAIGHT	2			0.006	
120	15221-33650	ROHRSTIFT	PIN,PIPE	1			0.004	
130	17331-59190	ROHRSTIFT	PIN,PIPE	2			0.002	
140	17331-59190	ROHRSTIFT	PIN,PIPE	2			0.002	
150	16851-16212	DECKEL	COVER,FUEL CAMSHAFT	1			0.030	
170	16871-73020	GRP.ABLASSHAHN	COCK,ASSY (DRAIN)	1			0.034	
180	1G460-57480	HALTER	HOLDER (WIRE)	1			0.100	
190	01023-50612	BOLZEN	BOLT,SEMS	1			0.005	
200	01123-50814	BOLZEN	BOLT,SEMS	1			0.010	



Update Date : 29-02-2020 Print Date : 04-04-2022

No.	Part Number	Part Name (POL)	Part Name (ENG)	QTY	IC	Serial No./PIN	Kg	Remarks
005	1G460-01600	GRP.OELWANNE	KIT OIL PAN	1			1.150	
010	1G460-01502	KOMP.OELWANNE	COMP.OIL PAN	1			0.970	
020	01023-50612	BOLZEN	BOLT,SEMS	18			0.005	
030	13901-33750	ENTLEERUNGSSTOPFEN	PLUG,DRAIN	1			0.025	
040	15862-96670	DICHTUNGSPLATTE	GASKET	1			0.001	
050	1G460-32110	OELFILTER	FILTER,OIL	1			0.100	
060	04814-00160	O RING	O RING	1			0.001	
070	01123-50814	BOLZEN	BOLT,SEMS	1			0.010	



Download the full PDF manual instantly.

Our customer service e-mail:

aservicemanualpdf@yahoo.com