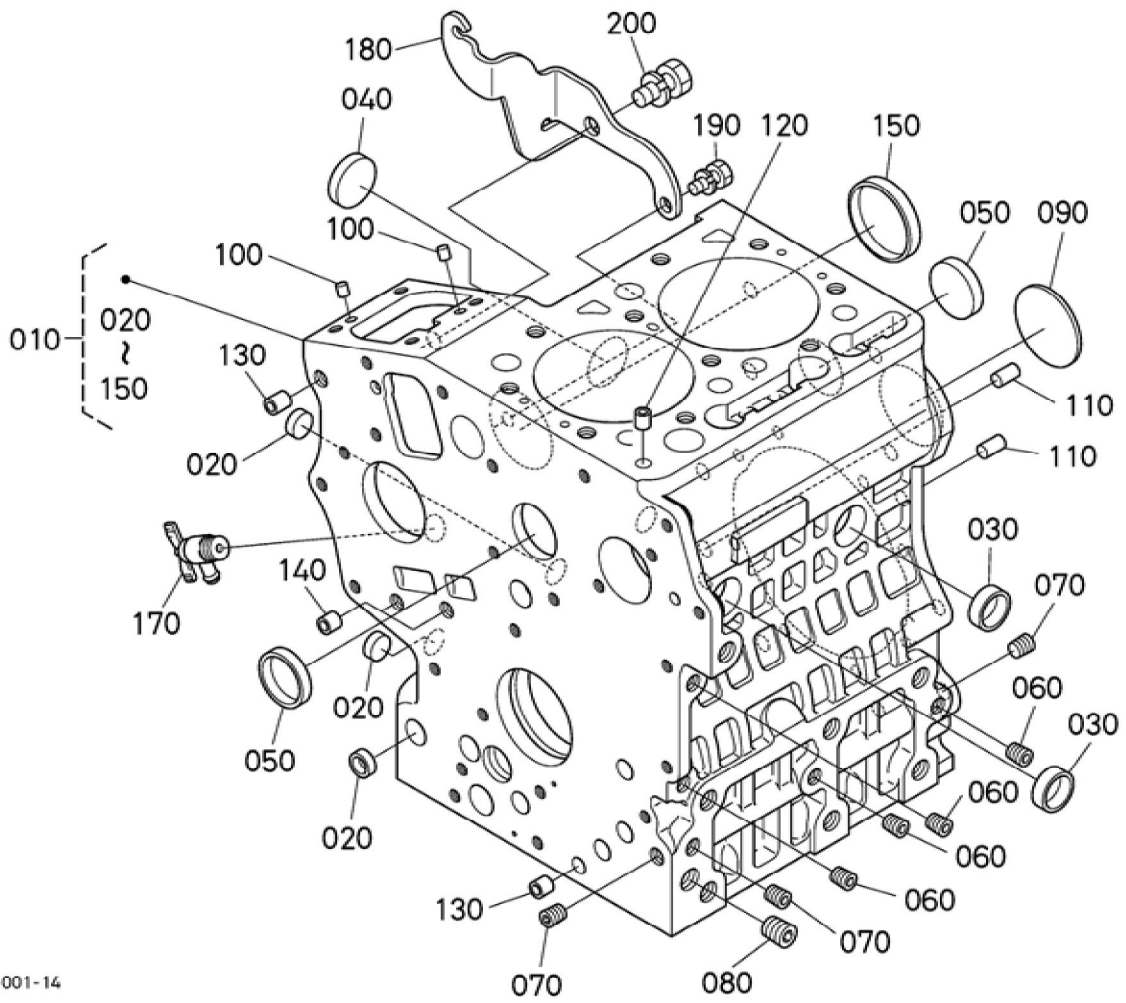
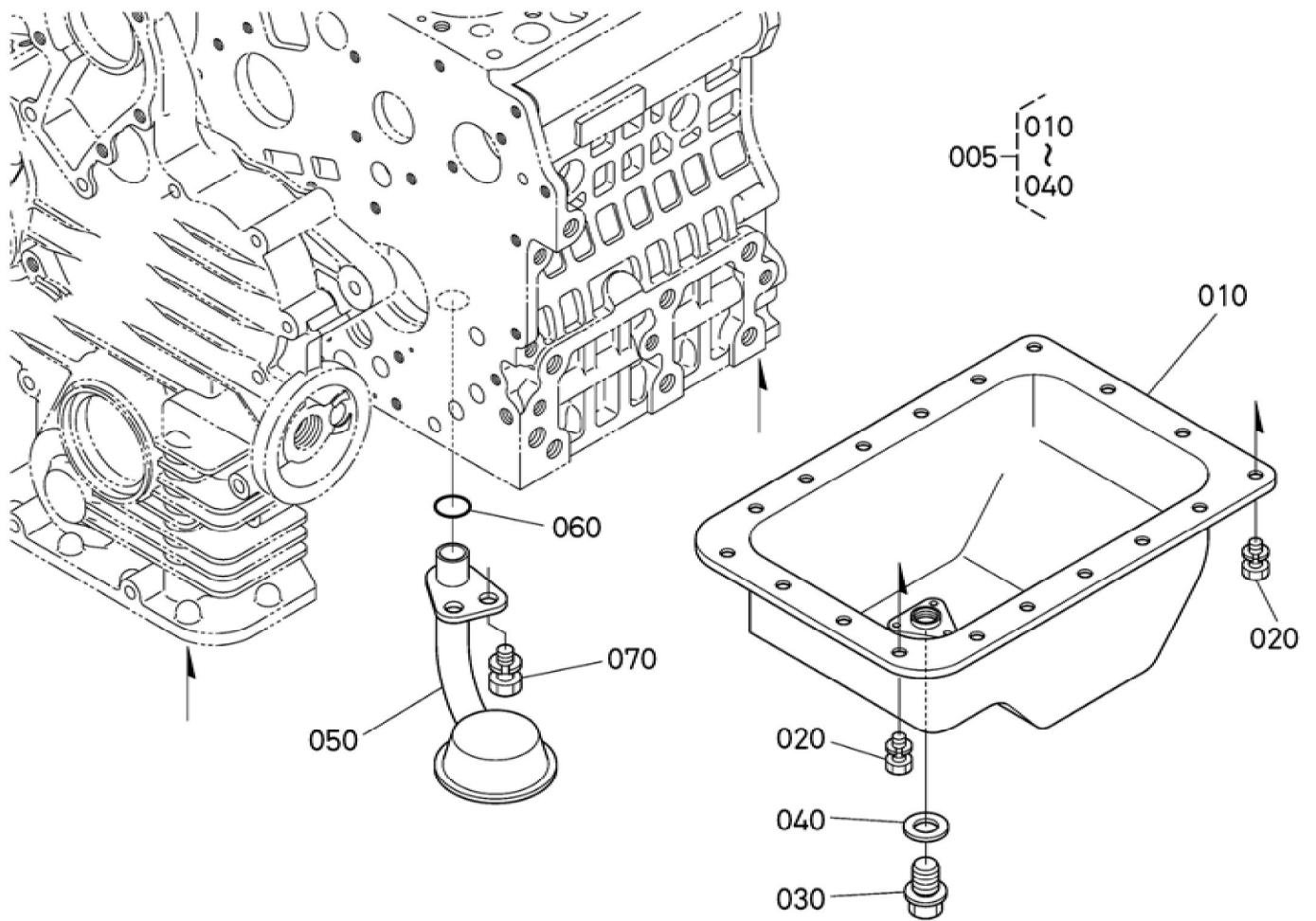


Update Date : 28-02-2020 Print Date : 03-04-2022



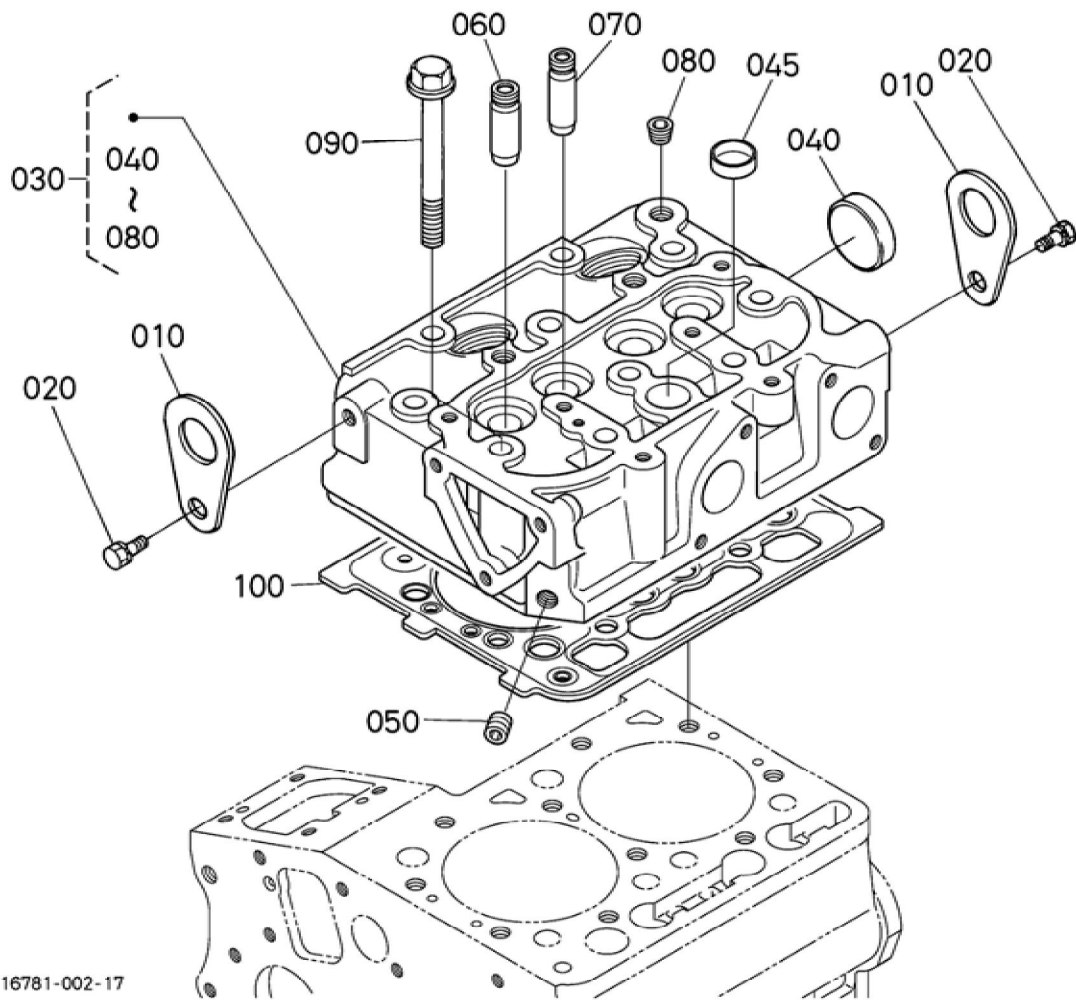
Update Date : 28-02-2020 Print Date : 03-04-2022

No.	Part Number	Part Name (POL)	Part Name (ENG)	QTY	IC	Serial No./PIN	Kg	Remarks
010	1G460-01020	KOMP.KURBELGHAEUSE	CRANKCASE, COMP	1			15.000	
020	16851-96260	KAPPE	CAP,SEALING	3			0.005	
030	16851-96270	KAPPE	CAP,SEALING	2			0.005	
040	06311-85025	STOEPSSEL, ABDICHTUNG	CAP,SEALING	1			0.010	
050	15451-96270	KAPPE	CAP,SEALING	2			0.010	
060	15261-96010	STOPFEN	PLUG	4			0.002	
070	15521-96020	STOPFEN	PLUG	3			0.003	
080	15521-96030	STOPFEN	PLUG	1			0.007	
090	15261-96160	STOPFEN	PLUG,EXPANSION	1			0.020	
100	05012-00508	ZYLINDERSTIFT	PIN,STRAIGHT	2			0.001	
110	05012-00814	ZYLINDERSTIFT	PIN,STRAIGHT	2			0.006	
120	15221-33650	ROHRSTIFT	PIN,PIPE	1			0.004	
130	17331-59190	ROHRSTIFT	PIN,PIPE	2			0.002	
140	17331-59190	ROHRSTIFT	PIN,PIPE	2			0.002	
150	16851-16212	DECKEL	COVER,FUEL CAMSHAFT	1			0.030	
170	16871-73020	GRP.ABLASSHAHN	COCK,ASSY (DRAIN)	1			0.034	
180	1G460-57480	HALTER	HOLDER (WIRE)	1			0.100	
190	01023-50612	BOLZEN	BOLT,SEMS	1			0.005	
200	01123-50814	BOLZEN	BOLT,SEMS	1			0.010	



Update Date : 28-02-2020 Print Date : 03-04-2022

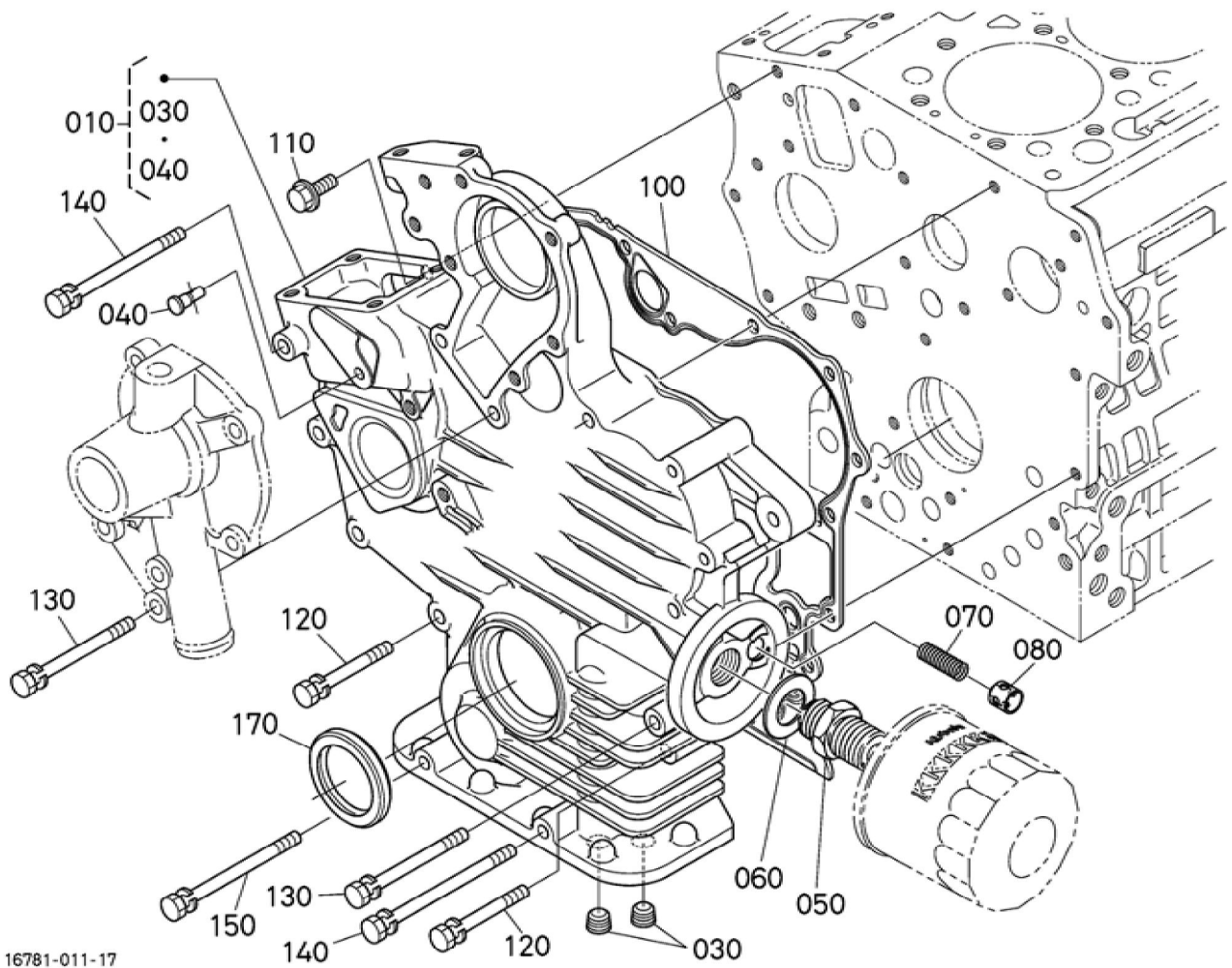
No.	Part Number	Part Name (POL)	Part Name (ENG)	QTY	IC	Serial No./PIN	Kg	Remarks
005	1G460-01600	GRP.OELWANNE	KIT OIL PAN	1			1.150	
010	1G460-01502	KOMP.OELWANNE	COMP.OIL PAN	1			0.970	
020	01023-50612	BOLZEN	BOLT,SEMS	18			0.005	
030	13901-33750	ENTLEERUNGSSTOPFEN	PLUG,DRAIN	1			0.025	
040	15862-96670	DICHTUNGSPLATTE	GASKET	1			0.001	
050	1G460-32110	OELFILTER	FILTER,OIL	1			0.100	
060	04814-00160	O RING	O RING	1			0.001	
070	01123-50814	BOLZEN	BOLT,SEMS	1			0.010	



## BKIDK5297 &gt;&gt; GZD15-3HD-S5 &gt;&gt; MOTOR / ENGINE &gt;&gt; 000300 ZYLINDERKOPF / CYLINDER HEAD

Update Date : 28-02-2020 Print Date : 03-04-2022

No.	Part Number	Part Name (POL)	Part Name (ENG)	QTY	IC	Serial No./PIN	Kg	Remarks
010	15221-01750	MOTORHAKEN	HOOK,ENGINE	2			0.040	
020	01123-50816	SCHRAUBE	BOLT,SEMS	2			0.011	
030	1G460-03046	KOMP.ZYLINDERKOPF	COMP.CYLINDER HEAD	1			5.100	
040	15321-96260	KAPPE	CAP,SEALING	1			0.014	
045	15261-03370	STOEPSEL,ABDICHTUNG	CAP,SEALING	1			0.005	
050	15261-96010	STOPFEN	PLUG	1			0.002	
060	15841-13540	EINLASSVENTILFUEHRUNG	GUIDE,VALVE (INLET)	2			0.014	
070	15841-13560	AUSLASSVENTILFUEHRUNG	GUIDE (EXHAUST VALVE)	2			0.014	
080	15841-96020	STOPFEN	PLUG	1			0.020	
090	14601-03450	ZYLINDERKOPFSCHRAUBE	BOLT,HEAD (CYLINDER)	10			0.035	
100	1G460-03313	ZYLINDERKOPFDICHTUNG	GASKET,CYL. HEAD	1			0.041	



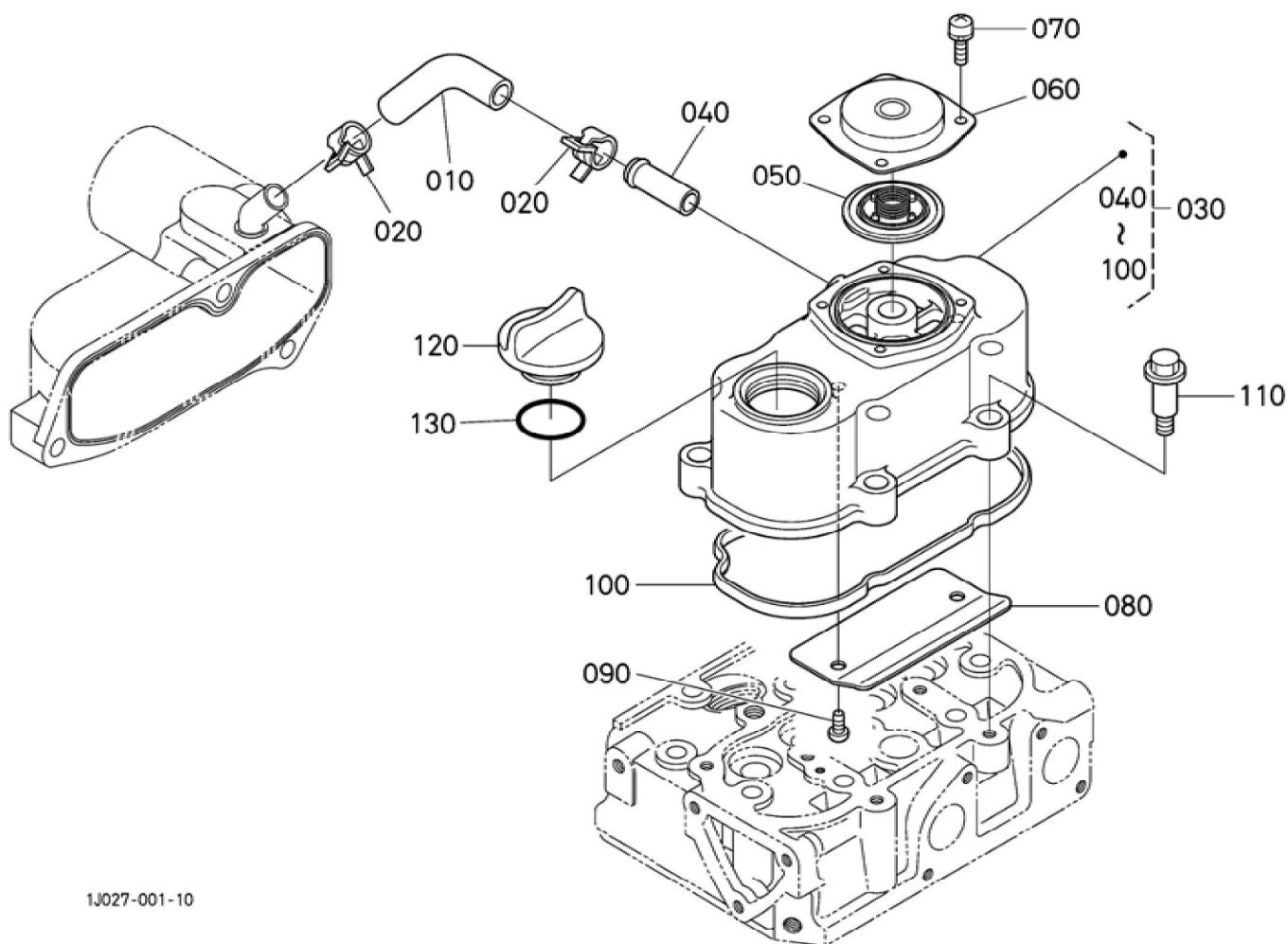
## BKIDK5297 &gt;&gt; GZD15-3HD-S5 &gt;&gt; MOTOR / ENGINE &gt;&gt; 000400 GETRIEBE GEHAEUSE / GEAR CASE

Update Date : 28-02-2020 Print Date : 03-04-2022

No.	Part Number	Part Name (POL)	Part Name (ENG)	QTY	IC	Serial No./PIN	Kg	Remarks
010	1G460-04025	GETRIEBE GEHAEUSE,K OMP.	COMP.CASE, GEAR	1			2.120	
030	15521-96030	STOPFEN	PLUG	2			0.007	
040	15841-56280	STARTFEDER STIFT	PIN(START SPRING)	1			0.005	
050	15241-32290	VERBINDUNG SSTUECK	JOINT,PIPE	1			0.053	
060	15841-94010	SCHEIBE	WASHER,PLA IN	1			0.003	
070	1J092-36950	FEDER	SPRING	1			0.004	
080	1J050-36930	UEBERLAUFV ENTIL	VALVE (RELIEF)	1			0.005	
100	1G962-04130	DICHTUNG	GASKET,GEA R CASE	1			0.028	
110	01754-50616	SCHRAUBE	BOLT,FLANG E	1			0.006	
120	01023-50650	BOLZEN	BOLT,SEMS	8			0.012	
130	15841-91010	BOLZEN	BOLT	3			0.014	
140	01023-50680	BOLZEN	BOLT,SEMS	2			0.017	
150	01023-50690	BOLZEN	BOLT,SEMS	1			0.019	
170	1J094-04140	OELDICHTUN GSRING	SEAL,OIL	1			0.013	



Update Date : 28-02-2020 Print Date : 03-04-2022



Update Date : 28-02-2020 Print Date : 03-04-2022

No.	Part Number	Part Name (POL)	Part Name (ENG)	QTY	IC	Serial No./PIN	Kg	Remarks
010	1G960-05514	ROHR	TUBE (BREATHER)	1			0.008	
020	09318-88125	SCHLAUCHS CHELLE	CLAMP,HOSE	2			0.001	
030	1G959-14504	ZYLINDERKO PFHAUBE,KO MP.	ASSY COVER,CYL. HEAD	1			0.520	
040	16241-73370	ROHR	PIPE,WATER RETURN	1			0.007	
050	1G911-05203	ENTLUEFTER	COMP VALVE,BREA THER	1			0.010	
060	1G801-05120	ENTLUEFTER DECKEL	COVER,BREA THER	1			0.035	
070	03024-50510	SCHRAUBE	SCREW,SEM S(PAN HEAD)	4			0.002	
080	1G460-05370	OELSCHILD,E NTLUEFTER	SEALD,OIL BRATHER	1			0.020	
090	16861-93310	SCHRAUBE	SCREW	2			0.001	
100	1G460-14520	VENTILDECK ELDICHTUNG	GASKET,HEA D COVER	1			0.008	
110	1G911-91022	BOLZEN	BOLT	4			0.015	
120	E9151-33140	OELEINFUEL LSTOPFEN	PLUG(OIL FILLER)	1			0.017	
130	1J001-96770	O RING	O RING	1			0.001	



**Download the full PDF manual instantly.**

**Our customer service e-mail:**

**[aservicemanualpdf@yahoo.com](mailto:aservicemanualpdf@yahoo.com)**