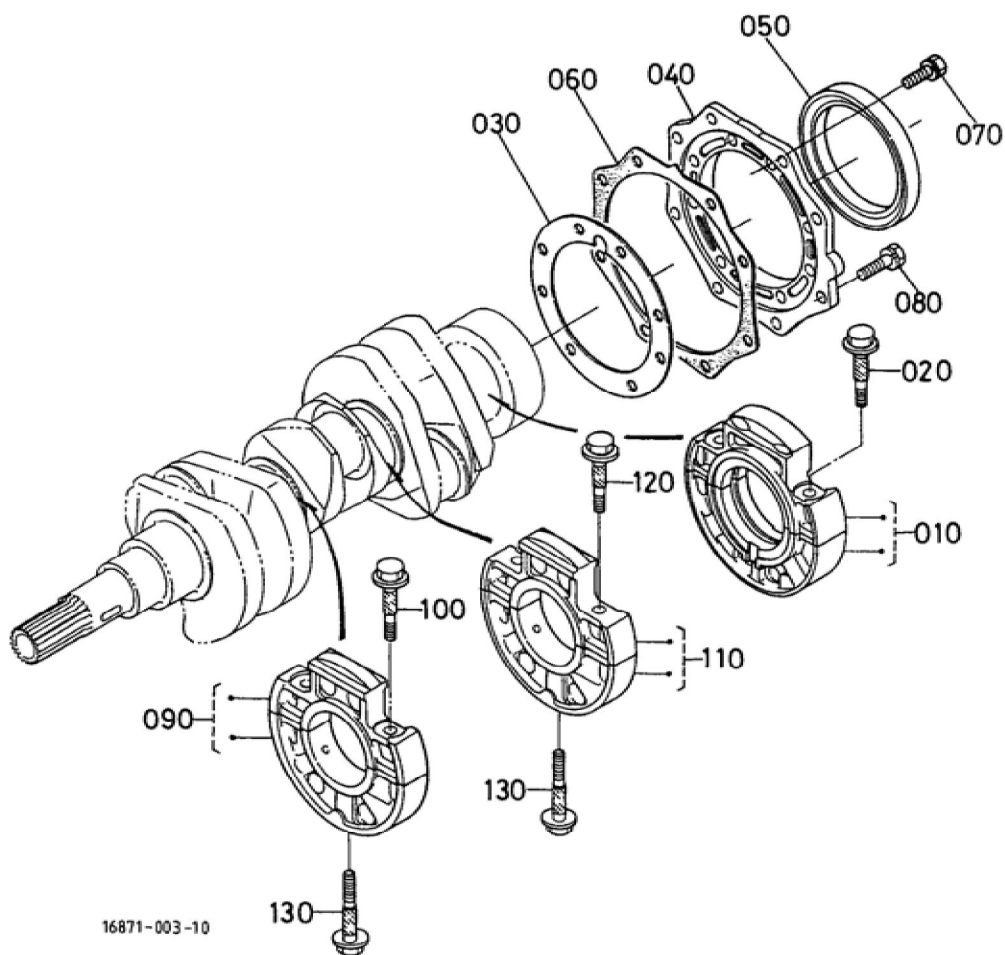


## BKIDA0013 &gt;&gt; GT950 &gt;&gt; MOTOR / ENGINE &gt;&gt; G00100 KUBELGEHAEUSE / CRANKCASE

Update Date : 21-01-2016 Print Date : 01-03-2022

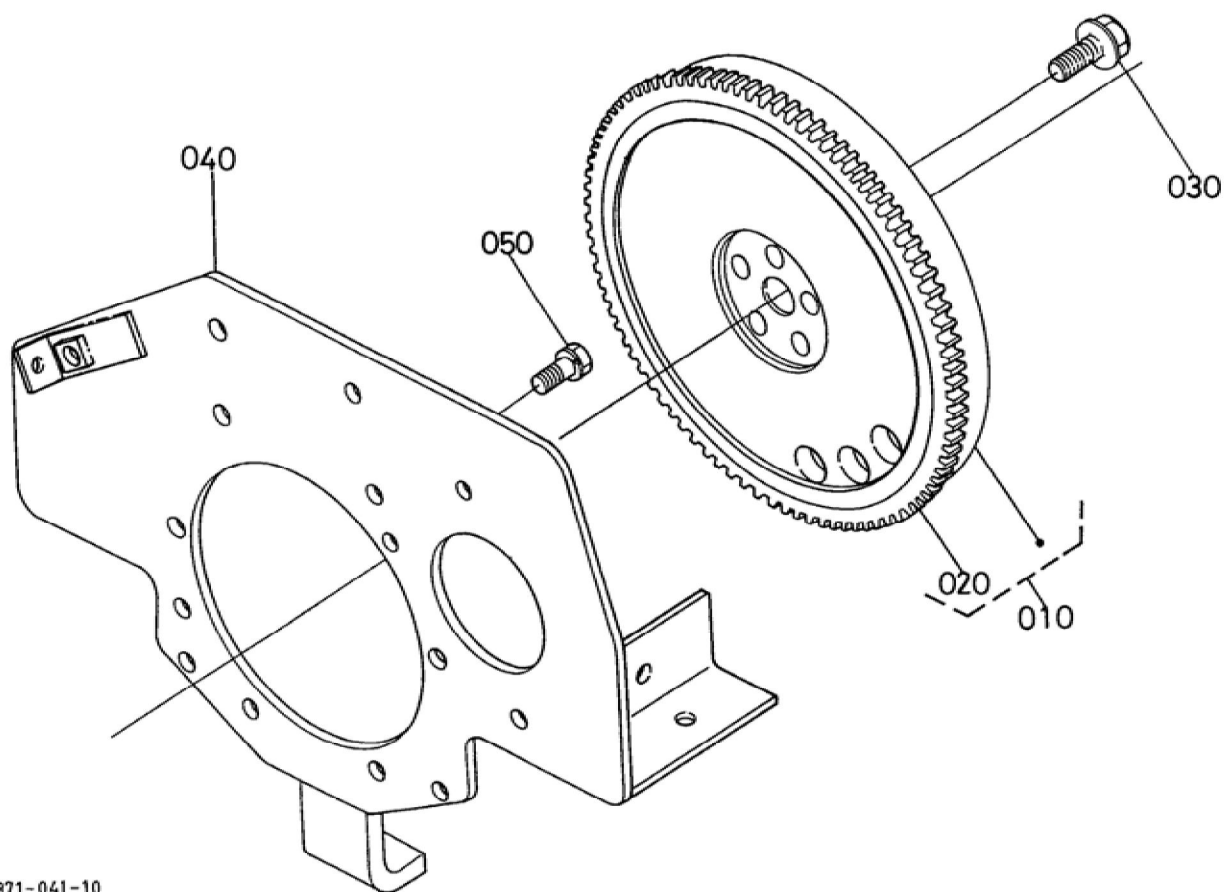
No.	Part Number	Part Name (POL)	Part Name (ENG)	QTY	IC	Serial No./PIN	Kg	Remarks
010	16871-01013	KOMP.KURBELGEHAEUSE	COMP.CRANKCASE	1			19.000	
020	16851-96260	KAPPE	CAP SEALING	3			0.005	
030	16851-96270	KAPPE	CAP SEALING	5			0.005	
040	15451-96270	KAPPE	CAP SEALING	2			0.010	
050	15261-96010	STOPFEN	PLUG	5			0.002	
060	15521-96020	STOPFEN	PLUG	3			0.003	
070	15521-96030	STOPFEN	PLUG	1			0.007	
080	15261-96160	STOPFEN	PLUG	1			0.020	
090	05012-00508	ZYLINDERSTIFT	PIN STRAIGHT	2			0.001	
100	05012-00814	ZYLINDERSTIFT	PIN STRAIGHT	2			0.006	
110	15221-33650	ROHRSTIFT	PIN PIPE	1			0.004	
120	15231-33960	ROHRSTIFT	PIN PIPE	2			0.001	
130	16851-16212	DECKEL	COVER FUEL CAMSHAFT	1		<=746723	0.030	
130	16851-16212	DECKEL	COVER FUEL CAMSHAFT	1	>>	=>746724	0.030	
140	15221-33700	O RING	O RING	1			0.001	
150	15841-73020	GRP.ABLASSHAHN	ASSY COCK DRAIN	1			0.030	
160	16851-35010	GRP.OELPUMPE	ASSY PUMP OIL	1			0.240	
170	16851-35152	DICHTUNG,OELPUMPE	GASKET OIL PUMP	1		<=766820	0.001	
170	16851-35152	DICHTUNG,OELPUMPE	GASKET OIL PUMP	1	>>	=>766821	0.001	
180	15841-91050	BOLZEN	BOLT	3			0.010	
190	15841-35660	ZAHNRAD	GEAR OIL PUMP DRIVE	1			0.113	
200	05712-00408	KEIL	KEY FEATHER	1			0.001	
210	02783-50100	MUTTER	NUT FLANGE	1			0.010	
230	15531-39010	OELDRUCKSCHALTER	SWITCH OIL	1			0.032	
240	17331-59190	ROHRSTIFT	PIN PIPE	2			0.002	

Update Date : 21-01-2016 Print Date : 01-03-2022



Update Date : 21-01-2016 Print Date : 01-03-2022

No.	Part Number	Part Name (POL)	Part Name (ENG)	QTY	IC	Serial No./PIN	Kg	Remarks
010	16851-04092	GRP.LAGERG EHAEUSE	ASSY CASE MAIN BRG.	1			0.710	
020	15841-04540	BOLZEN,LAG ERKASTEN	BOLT BEARING CASE	2			0.012	
030	15852-04360	DICHTUNG,L AGER	GASKET BRG.CASE	1		<=771520	0.005	
030	15852-04360	DICHTUNG,L AGER	GASKET BRG.CASE	1	>>	=>771521	0.005	
040	15841-04810	DECKEL,LAG ERKASTEN	COVER BEARING CASE	1			0.160	
050	09560-00007	OELDICHTUN GSRING	SEAL OIL	1			0.029	
060	15841-04822	DICHTUNGSP LATTE	GASKET BRG.CASE COV.	1			0.004	
070	01023-50620	BOLZEN	BOLT	8			0.006	
080	01023-50622	BOLZEN	BOLT	8			0.005	
090	16851-04040	GRP.LAGERG EHAEUSE	ASSY CASE MAIN BRG.	1			0.580	
100	15841-04540	BOLZEN,LAG ERKASTEN	BOLT BEARING CASE	2			0.012	
110	16861-04050	GRP.LAGERG EHAEUSE	ASSY CASE MAIN BRG.	1			0.580	
120	15841-04540	BOLZEN,LAG ERKASTEN	BOLT BEARING CASE	2			0.012	
130	15841-04562	BOLZEN,LAG ERKASTEN	BOLT BEARING CASE	2			0.020	



Update Date : 21-01-2016 Print Date : 01-03-2022

No.	Part Number	Part Name (POL)	Part Name (ENG)	QTY	IC	Serial No./PIN	Kg	Remarks
010	16861-25014	KOMP.SCHWUNGRAD	COMP.FLYWHEEL	1			6.000	
020	16851-63822	ZAHNKRANZ	GEAR RING	1		<=258038	0.570	
020	16851-63822	ZAHNKRANZ	GEAR RING	1	=	=>258039	0.570	
030	15852-25160	BOLZEN,SCHWUNGRAD	BOLT FLYWHEEL	5			0.025	
040	66101-58020	PLATTE	PLATE REAR END	1			2.320	
050	01123-50816	SCHRAUBE	BOLT	10			0.011	



**Download the full PDF manual instantly.**

**Our customer service e-mail:**

**[aservicemanualpdf@yahoo.com](mailto:aservicemanualpdf@yahoo.com)**