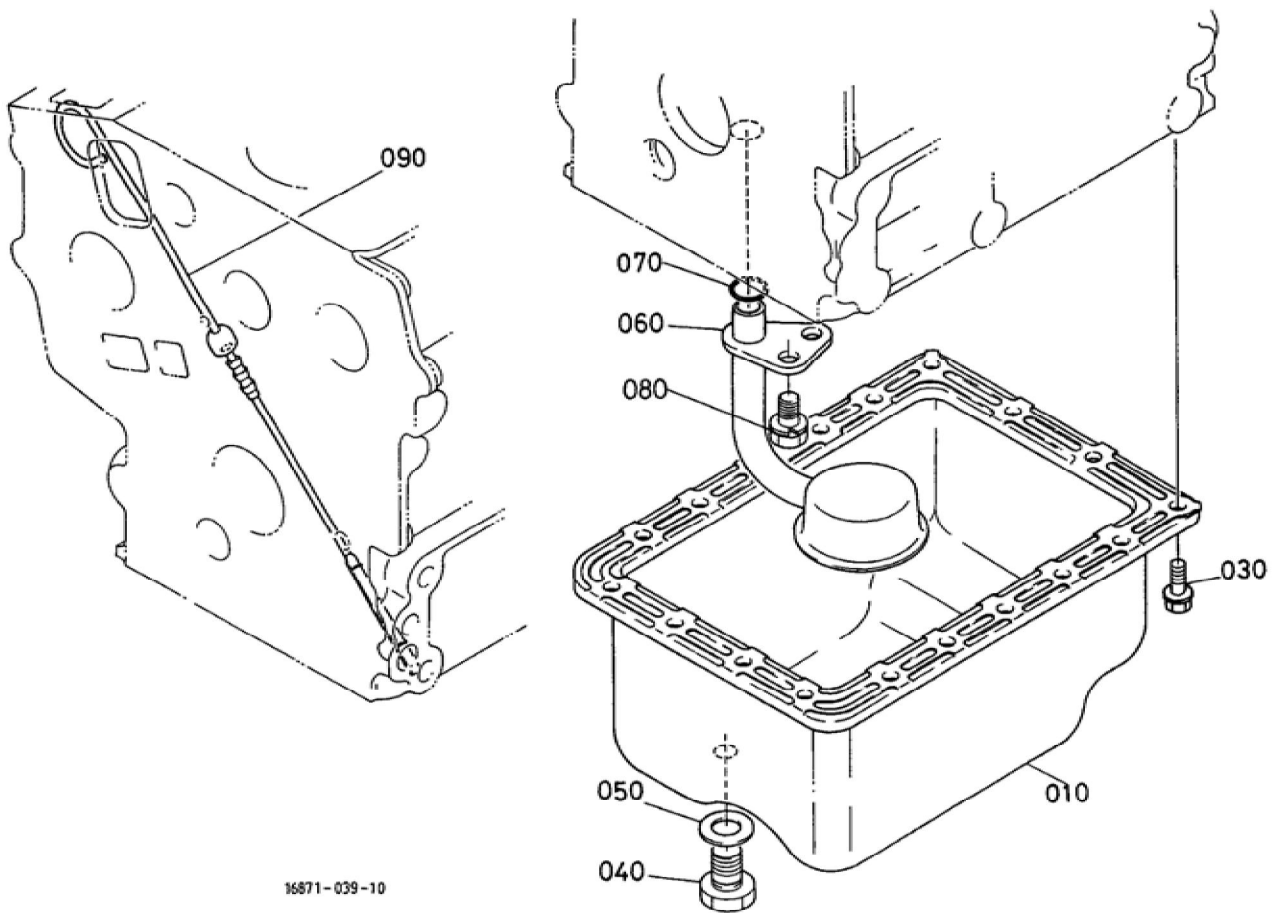


## BKIDA0011 &gt;&gt; GT750 &gt;&gt; MOTOR / ENGINE &gt;&gt; G00100 KUBELGEHAEUSE / CRANKCASE

Update Date : 22-01-2016 Print Date : 01-03-2022

No.	Part Number	Part Name (POL)	Part Name (ENG)	QTY	IC	Serial No./PIN	Kg	Remarks
010	16861-01012	KOMP.KURBELGEHAEUSE	COMP.CRANKCASE	1			22.800	
020	16851-96260	KAPPE	CAP SEALING	3			0.005	
030	16851-96270	KAPPE	CAP SEALING	5			0.005	
040	15451-96270	KAPPE	CAP SEALING	2			0.010	
050	15261-96010	STOPFEN	PLUG	5			0.002	
060	15521-96020	STOPFEN	PLUG	3			0.003	
070	15521-96030	STOPFEN	PLUG	1			0.007	
080	15261-96160	STOPFEN	PLUG	1			0.020	
090	05012-00508	ZYLINDERSTIFT	PIN STRAIGHT	2			0.001	
100	05012-00814	ZYLINDERSTIFT	PIN STRAIGHT	2			0.006	
110	15221-33650	ROHRSTIFT	PIN PIPE	1			0.004	
120	15231-33960	ROHRSTIFT	PIN PIPE	2			0.001	
130	16851-16212	DECKEL	COVER FUEL CAMSHAFT	1		<=746723	0.030	
130	16851-16212	DECKEL	COVER FUEL CAMSHAFT	1	>>	=>746724	0.030	
140	15221-33700	O RING	O RING	1			0.001	
150	15841-73020	GRP.ABLASSHAHN	ASSY COCK DRAIN	1			0.030	
160	16851-35010	GRP.OELPUMPE	ASSY PUMP OIL	1			0.240	
170	16851-35152	DICHTUNG,OELPUMPE	GASKET OIL PUMP	1		<=766820	0.001	
170	16851-35152	DICHTUNG,OELPUMPE	GASKET OIL PUMP	1	>>	=>766821	0.001	
180	15841-91050	BOLZEN	BOLT	3			0.010	
190	15841-35660	ZAHNRAD	GEAR OIL PUMP DRIVE	1			0.113	
200	05712-00408	KEIL	KEY FEATHER	1			0.001	
210	02783-50100	MUTTER	NUT FLANGE	1			0.010	
230	15531-39010	OELDRUCKSCHALTER	SWITCH OIL	1			0.032	
240	17331-59190	ROHRSTIFT	PIN PIPE	2			0.002	



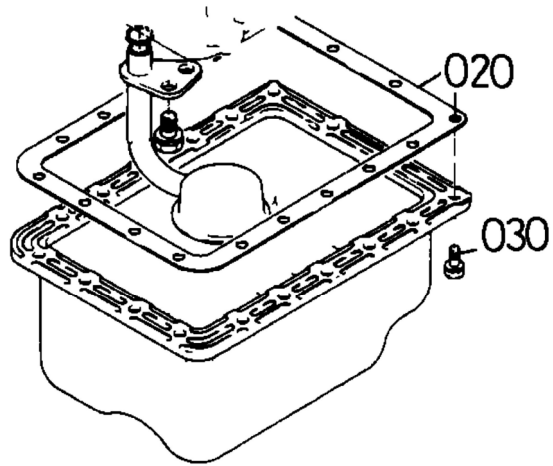
## BKIDA0011 &gt;&gt; GT750 &gt;&gt; MOTOR / ENGINE &gt;&gt; G00200 OELWANNE / OIL PAN

Update Date : 22-01-2016 Print Date : 01-03-2022

No.	Part Number	Part Name (POL)	Part Name (ENG)	QTY	IC	Serial No./PIN	Kg	Remarks
010	15862-01500	KOMP.OELW ANNE	COMP.OIL PAN	1			1.110	
030	01023-50612	BOLZEN	BOLT	18		<=169246	0.005	
030	01754-50610	SCHRAUBE	BOLT FLANGE	18	NI	=>169247	0.006	
040	15221-33750	STOPFEN	PLUG	1			0.032	
050	15109-33660	DICHTUNGSP LATTE	GASKET	1			0.001	
060	16851-32110	OELFILTER	FILTER OIL	1			0.110	
070	04811-00160	O RING	O RING	1			0.001	
080	01123-60814	BOLZEN	BOLT	1			0.010	
090	16851-36410	OELMESSST AB	GAUGE OIL	1			0.030	

020 15861-0162-0

030 01023-50612

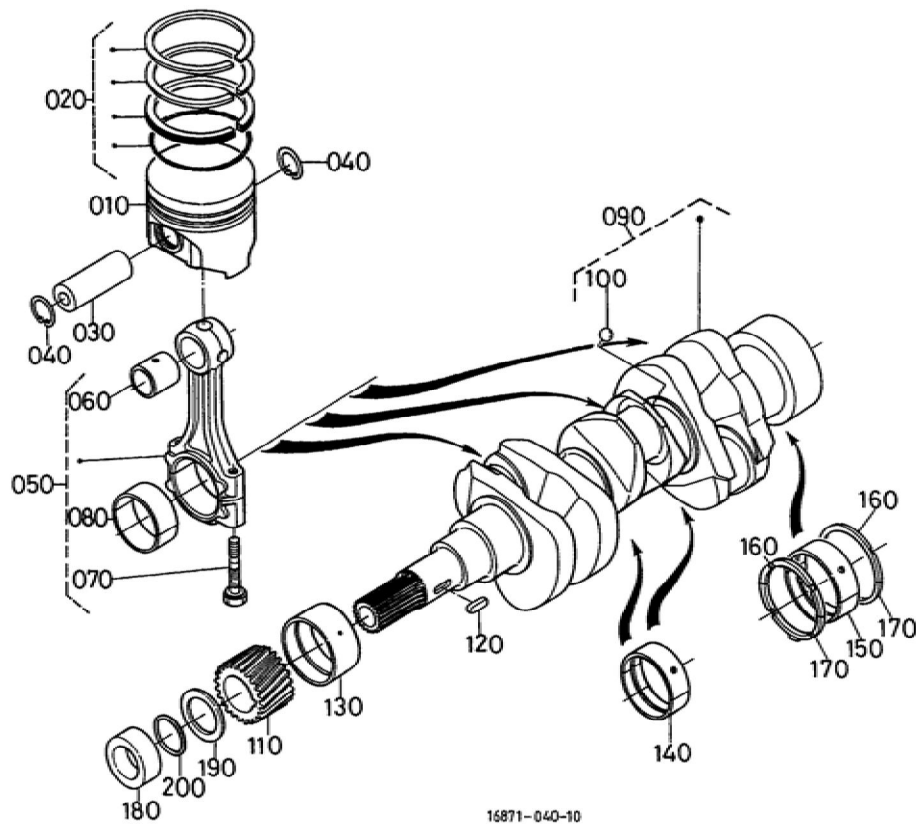


## BKIDA0011 &gt;&gt; GT750 &gt;&gt; MOTOR / ENGINE &gt;&gt; G00200 OELWANNE / OIL PAN

Update Date : 22-01-2016 Print Date : 01-03-2022

No.	Part Number	Part Name (POL)	Part Name (ENG)	QTY	IC	Serial No./PIN	Kg	Remarks
020	15862-01620	DICHTUNG	GASKET OIL PAN	1		<=169246	0.023	
030	01023-50612	BOLZEN	BOLT	18		<=169246	0.005	
030	01754-50610	SCHRAUBE	BOLT FLANGE	18	NI	=>169247	0.006	

Update Date : 22-01-2016 Print Date : 01-03-2022



Update Date : 22-01-2016 Print Date : 01-03-2022

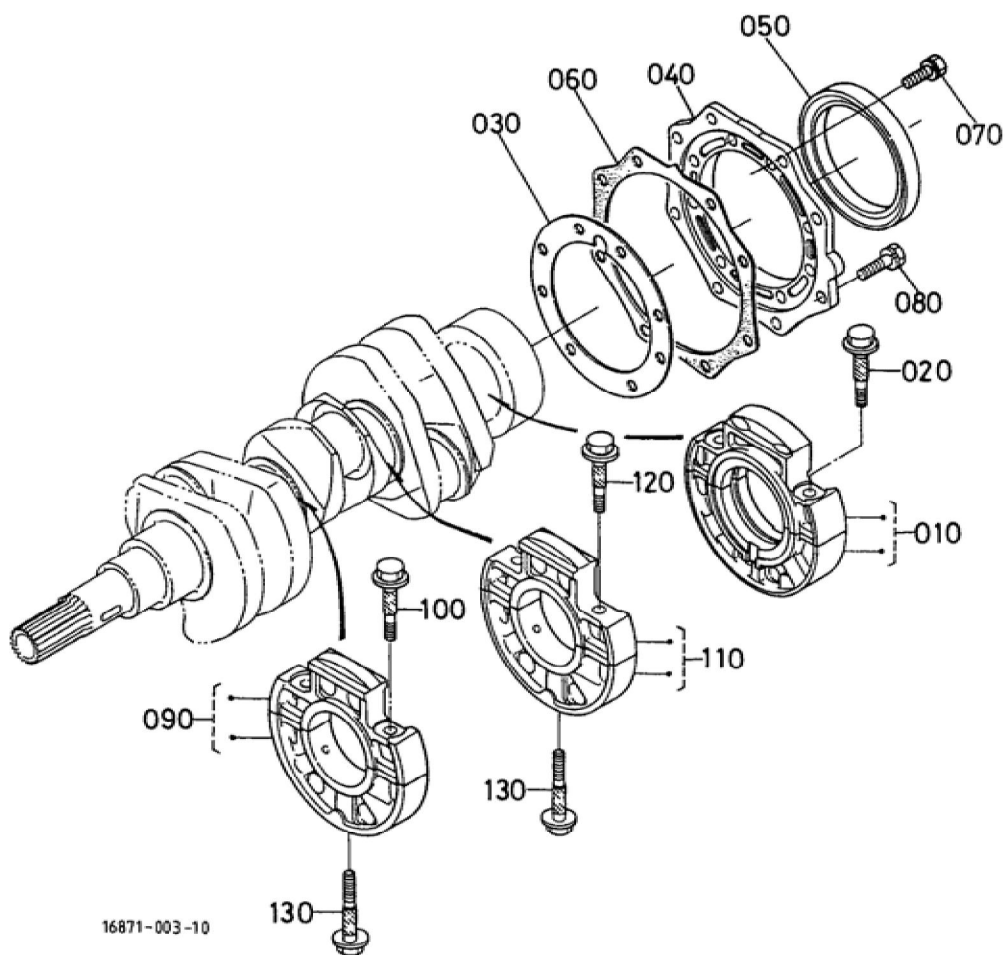
No.	Part Number	Part Name (POL)	Part Name (ENG)	QTY	IC	Serial No./PIN	Kg	Remarks
010	16861-21113	KOLBEN	PISTON	3			0.220	STD
010	16861-21900	KOLBEN	PISTON	3			0.170	+0.25MM
020	16861-21052	GRP.KOLBEN RING	ASSY PISTON RING	3			0.030	STD
020	16863-21090	GRP.KOLBEN RING	ASSY PISTON RING	3			0.010	+0.25MM
030	16851-21310	KOLBENBOLZEN	PIN PISTON	3			0.100	
040	15261-21330	SEEGERING	CIRCLIP PISTON PIN	6			0.001	
050	16851-22010	PLEUELSTANGE KOMP.	ASSY CONNECTING ROD	3			0.330	
060	16851-21980	BUCHSE,KOLBENSTIFT	BUSH PISTON PIN	3			0.010	
070	16851-22140	BOLZEN	BOLT CONNECTING ROD	6			0.012	
080	16851-22320	LAGERSCHALE	METAL CRANKPIN M	3			0.040	STD
080	15861-22970	LAGERSCHALE	METAL CRANKPIN	3			0.030	-0.2MM
080	15861-22980	LAGERSCHALE	METAL CRANKPIN	3			0.030	-0.4MM
090	16861-23010	KOMP.KURBELWELLE	COMP.CRANKSHAFT	1			5.560	
100	07715-03207	KUGEL	BALL	3			0.001	
110	15841-24110	ZAHNRAD	GEAR CRANK	1			0.140	
120	05712-00515	KEIL	KEY FEATHER	1			0.003	
130	15861-23470	LAGERSCHALE	METAL CRANKSHAFT	1			0.030	STD
130	15861-23910	LAGERSCHALE	METAL CRANKSHAFT	1			0.040	-0.2MM
130	15861-23920	LAGERSCHALE	METAL CRANKSHAFT	1			0.040	-0.4MM
140	16861-23490	LAGERSCHALE	METAL CRANKSHAFT M	2			0.020	SET STD
140	15861-23860	LAGERSCHALE	METAL CRANKSHAFT	2			0.030	SET -0.2MM



Update Date : 22-01-2016 Print Date : 01-03-2022

No.	Part Number	Part Name (POL)	Part Name (ENG)	QTY	IC	Serial No./PIN	Kg	Remarks
140	15861-23870	LAGERSCHALE	METAL CRANKSHAFT	2			0.030	SET -0.4MM
150	16861-23480	LAGERSCHALE	METAL CRANKSHAFT M	1			0.030	SET STD
150	15694-23930	LAGERSCHALE	METAL CRANKSHAFT	1			0.040	SET -0.2MM
150	15694-23940	LAGERSCHALE	METAL CRANKSHAFT	1			0.046	SET -0.4MM
160	15261-23530	LAGERSCHALE	METAL SIDE	2			0.006	STD
160	15261-23950	LAGERSCHALE	METAL SIDE	2			0.006	+0.2MM
160	15261-23960	LAGERSCHALE	METAL SIDE	2			0.007	+0.4MM
170	15261-23540	LAGERSCHALE	METAL SIDE	2			0.007	STD
170	15261-23970	LAGERSCHALE	METAL SIDE	2			0.006	+0.2MM
170	15261-23980	LAGERSCHALE	METAL SIDE	2			0.007	+0.4MM
180	15841-23250	HALSRING	COLLAR CRANKSHAFT	1			0.050	
190	15881-23310	OELABSTREIFRING	SLINGER OIL	1			0.004	
200	04811-16220	O RING	O RING	1			0.001	

Update Date : 22-01-2016 Print Date : 01-03-2022





**Download the full PDF manual instantly.**

**Our customer service e-mail:**

**[aservicemanualpdf@yahoo.com](mailto:aservicemanualpdf@yahoo.com)**