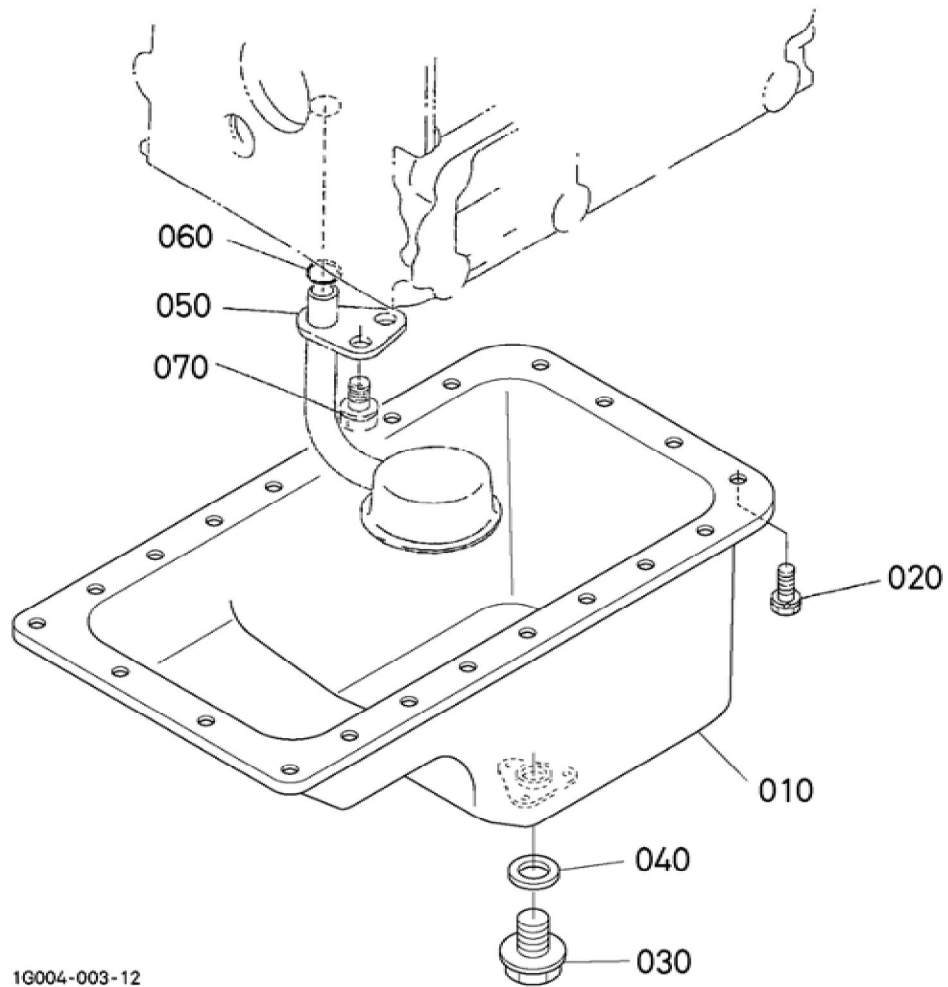


## BKIDA5083 &gt;&gt; GR2120SEU-2 &gt;&gt; MOTOR / ENGINE &gt;&gt; 000100 KURBELGHAUSE / CRANKCASE

Update Date : 17-05-2018 Print Date : 12-03-2022

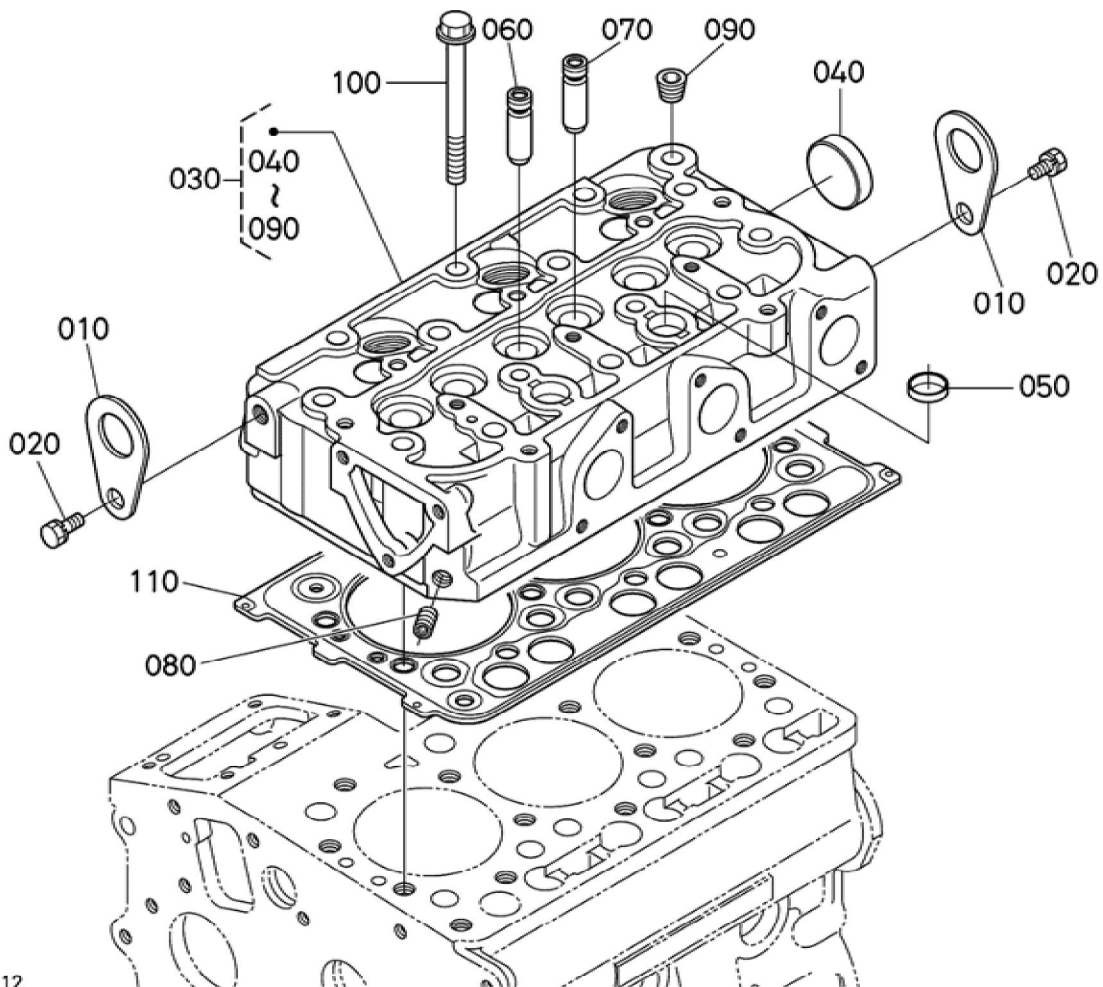
No.	Part Number	Part Name (POL)	Part Name (ENG)	QTY	IC	Serial No./PIN	Kg	Remarks
010	1A307-01020	KOMP.KURBELGEHAEUSE	CRANKCASE, COMP	1		<=4GRZ999	0.000	
010	1A307-01022	KOMP.KURBELGEHAEUSE	CRANKCASE, COMP	1	>>	>=4GS0001	19.510	
020	16851-96260	KAPPE	CAP,SEALING	3			0.005	
030	16851-96270	KAPPE	CAP,SEALING	5			0.005	
040	15451-96270	KAPPE	CAP,SEALING	2			0.010	
050	15261-96010	STOPFEN	PLUG	5			0.002	
060	15521-96020	STOPFEN	PLUG	3			0.003	
070	15521-96030	STOPFEN	PLUG	1			0.007	
080	15261-96160	STOPFEN	PLUG,EXPANSION	1			0.020	
090	05012-00508	ZYLINDERSTIFT	PIN,STRAIGHT	2			0.001	
100	05012-00814	ZYLINDERSTIFT	PIN,STRAIGHT	2			0.006	
110	15221-33650	ROHRSTIFT	PIN,PIPE	1			0.004	
120	17331-59190	ROHRSTIFT	PIN,PIPE	2			0.002	
130	17331-59190	ROHRSTIFT	PIN,PIPE	2			0.002	
140	16851-16212	DECKEL	COVER,FUEL CAMSHAFT	1			0.030	
160	06311-55020	STOPFEN	PLUG	1			0.031	
170	04717-01320	GUMMIUNTERLAGE	WASHER,SEAL	1			0.002	



1G004-003-12

Update Date : 17-05-2018 Print Date : 12-03-2022

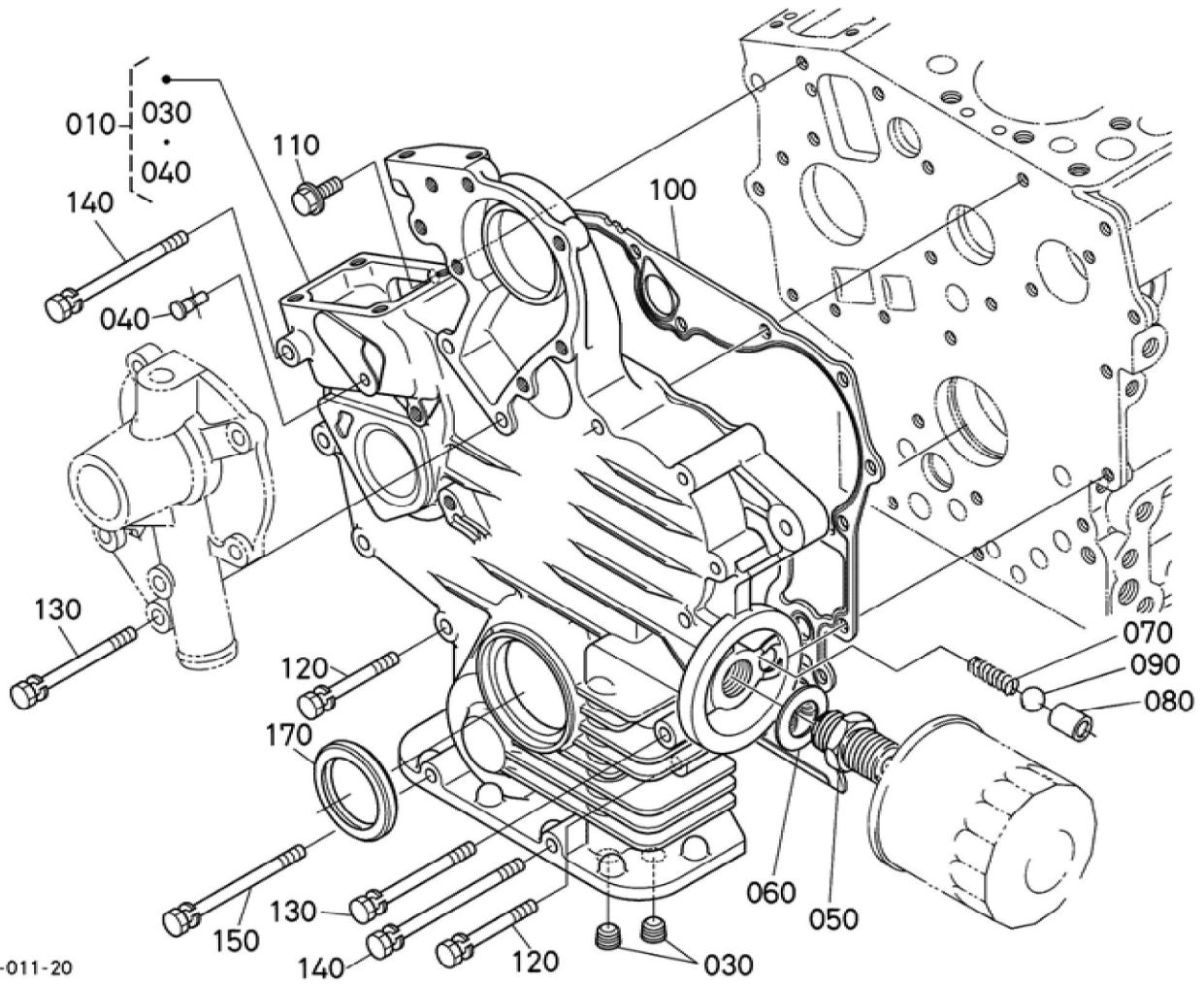
No.	Part Number	Part Name (POL)	Part Name (ENG)	QTY	IC	Serial No./PIN	Kg	Remarks
010	1G004-01504	KOMP.OELW ANNE	COMP.OIL PAN	1			1.040	
020	01023-50612	BOLZEN	BOLT,SEMS	22			0.005	
030	13901-33750	ENTLEERUN GSSTOPFEN	PLUG,DRAIN	1			0.025	
040	15862-96670	DICHTUNGSP LATTE	GASKET	1			0.001	
050	16851-32110	OELFILTER	FILTER,OIL	1			0.110	
060	04814-00160	O RING	O RING	1			0.001	
070	01123-50814	BOLZEN	BOLT,SEMS	1			0.010	



## BKIDA5083 &gt;&gt; GR2120SEU-2 &gt;&gt; MOTOR / ENGINE &gt;&gt; 000300 ZYLINDERKOPF / CYLINDER HEAD

Update Date : 17-05-2018 Print Date : 12-03-2022

No.	Part Number	Part Name (POL)	Part Name (ENG)	QTY	IC	Serial No./PIN	Kg	Remarks
010	15221-01750	MOTORHAKEN	HOOK,ENGINE	2			0.040	
020	01123-50816	BOLZEN	BOLT,SEMS	2			0.011	
030	1J093-03040	KOMP.ZYLINDERKOPF	HEAD,CYLINDER,COMP	1			7.300	
040	15321-96260	KAPPE	CAP,SEALING	1			0.014	
050	15261-03370	STOEPSEL,ABDICHTUNG	CAP,SEALING	2			0.005	
060	15841-13540	EINLASSVENTILFUEHRUNG	GUIDE,VALVE (INLET)	3			0.014	
070	15841-13560	AUSLASSVENTILFUEHRUNG	GUIDE (EXHAUST VALVE)	3			0.014	
080	15261-96010	STOPFEN	PLUG	1			0.002	
090	15841-96020	STOPFEN	PLUG	1			0.020	
100	14601-03450	ZYLINDERKOPFSCHRAUBE	BOLT,HEAD (CYLINDER)	14			0.035	
110	1J092-03310	ZYLINDERKOPFDICHTUNG	GASKET (CYL.HEAD)	1			0.135	



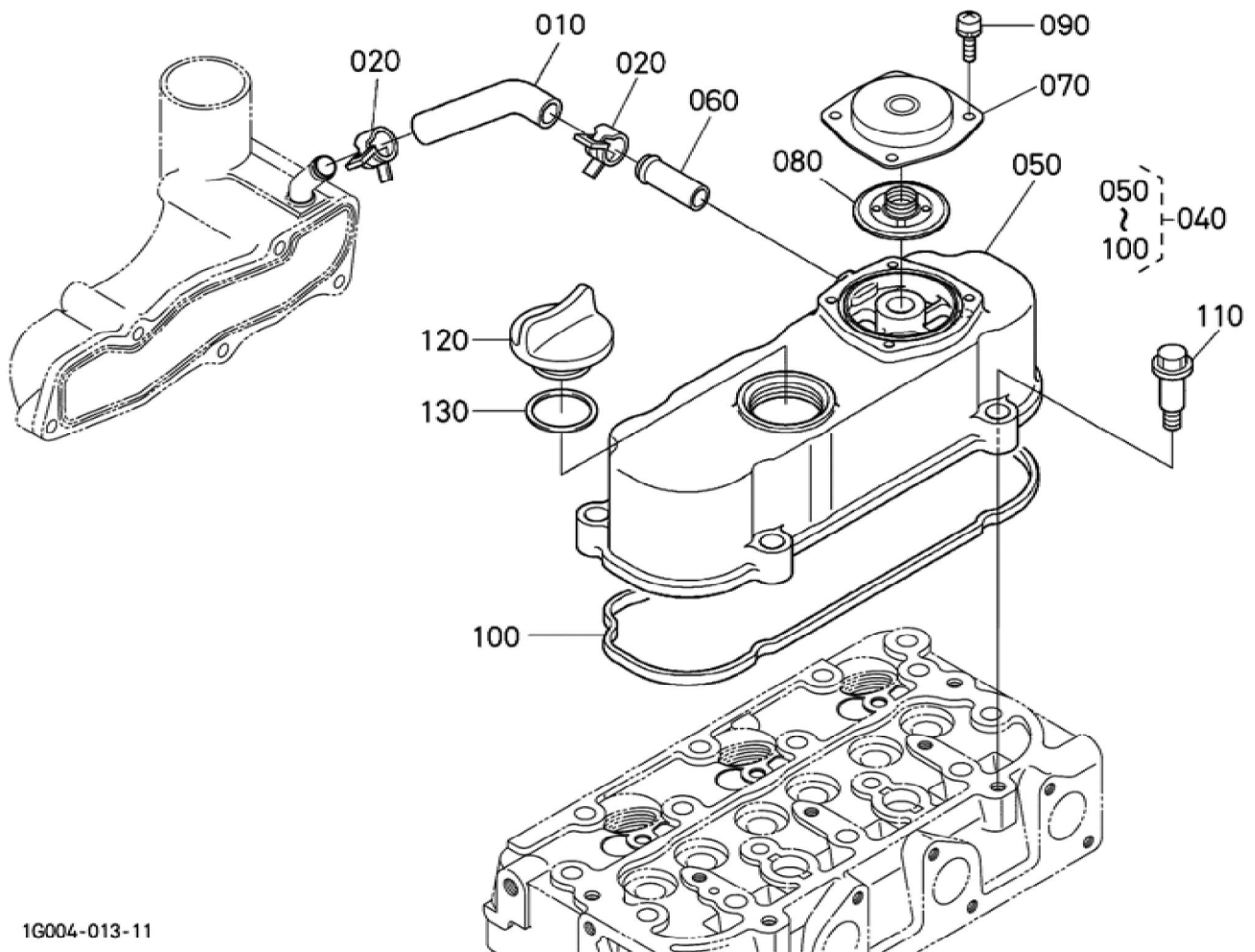
16781-011-20

Update Date : 17-05-2018 Print Date : 12-03-2022

No.	Part Number	Part Name (POL)	Part Name (ENG)	QTY	IC	Serial No./PIN	Kg	Remarks
010	1G460-04024	KMP.GETRIEBEGEHAEUSE	COMP.CASE, GEAR	1			2.120	
030	15521-96030	STOPFEN	PLUG	2			0.007	
040	15841-56280	STARTFEDERSTIFT	PIN(START SPRING)	1			0.005	
050	15241-32290	VERBINDUNGSSTUECK	JOINT,PIPE	1			0.053	
060	15841-94010	SCHEIBE	WASHER,PLAIN	1			0.003	
070	16851-36950	FEDER	SPRING	1			0.020	
080	15841-36930	SITZ,VENTIL	SEAT,VALVE	1			0.003	
090	07715-03211	KUGEL	BALL	1			0.003	
100	1G962-04130	DICHTUNG	GASKET,GEAR CASE	1			0.028	
110	01754-50616	SCHRAUBE	BOLT,FLANGE	1			0.006	
120	01023-50650	BOLZEN	BOLT,SEMS	8			0.012	
130	15841-91010	BOLZEN	BOLT	3			0.014	
140	01023-50680	BOLZEN	BOLT,SEMS	2			0.017	
150	01023-50690	BOLZEN	BOLT,SEMS	1			0.019	
170	1J094-04140	OELDICHTUNGSRING	SEAL,OIL	1			0.013	



Update Date : 17-05-2018 Print Date : 12-03-2022



Update Date : 17-05-2018 Print Date : 12-03-2022

No.	Part Number	Part Name (POL)	Part Name (ENG)	QTY	IC	Serial No./PIN	Kg	Remarks
010	1G960-05513	SCHLAUCH	TUBE (BREATHING)	1			0.008	
020	09318-88125	SCHLAUCHS CHELLE	CLAMP,HOSE	2			0.001	
040	1G958-14504	VENTILDECK EL	COVER,CYL. HEAD	1			0.600	
050	1G958-14512	VENTILDECK EL	COVER,CYL. HEAD	1			0.510	
060	16241-73370	ROHR	PIPE,WATER RETURN	1			0.007	
070	1G801-05120	ENTLUEFTER DECKEL	COVER,BREA THER	1			0.035	
080	1G911-05203	ENTLUEFTER	COMP VALVE,BREA THER	1			0.010	
090	03024-50510	SCHRAUBE	SCREW,SEM S(PAN HEAD)	4			0.002	
100	1G958-14520	VENTILDECK ELDICHTUNG	GASKET,HEA D COVER	1			0.009	
110	1G911-91022	SCHRAUBE	BOLT	4			0.015	
120	E9151-33140	OELEINFUEL LSTOPFEN	PLUG(OIL FILLER)	1			0.017	
130	1J001-96770	O RING	O RING	1			0.001	



**Download the full PDF manual instantly.**

**Our customer service e-mail:**

**[aservicemanualpdf@yahoo.com](mailto:aservicemanualpdf@yahoo.com)**