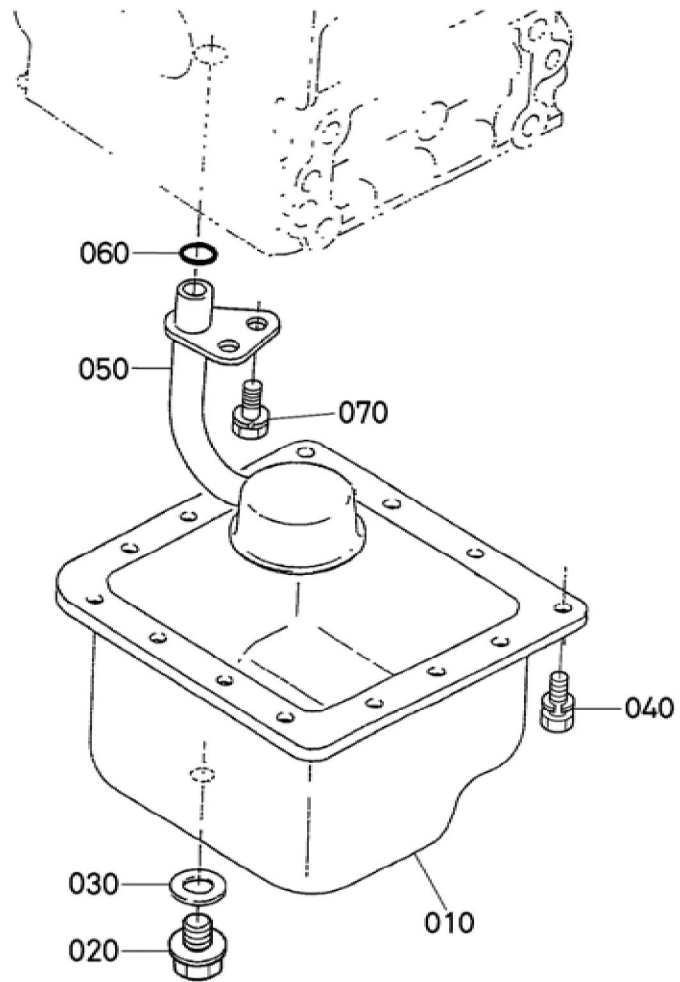


BKIDA5175 >> GR1600EU-3-S5 >> MOTOR / ENGINE >> 000100 KURBELGHAEUSE / CRANKCASE

Update Date : 31-01-2020 Print Date : 11-03-2022

No.	Part Number	Part Name (POL)	Part Name (ENG)	QTY	IC	Serial No./PIN	Kg	Remarks
010	1J090-01020	KOMP.KURBELGEHAEUSE	CRANKCASE, COMP	1			15.370	
020	16851-96260	KAPPE	CAP,SEALING	3			0.005	
030	16851-96270	KAPPE	CAP,SEALING	3			0.005	
040	15451-96270	KAPPE	CAP,SEALING	2			0.010	
050	15261-96010	STOPFEN	PLUG	4			0.002	
060	15521-96020	STOPFEN	PLUG	3			0.003	
070	15521-96030	STOPFEN	PLUG	1			0.007	
080	15261-96160	STOPFEN	PLUG,EXPANSION	1			0.020	
090	05012-00508	ZYLINDERSTIFT	PIN,STRAIGHT	2			0.001	
100	05012-00814	ZYLINDERSTIFT	PIN,STRAIGHT	2			0.006	
110	15221-33650	ROHRSTIFT	PIN,PIPE	1			0.004	
120	17331-59190	ROHRSTIFT	PIN,PIPE	2			0.002	
130	17331-59190	ROHRSTIFT	PIN,PIPE	2			0.002	
140	16851-16212	DECKEL	COVER,FUEL CAMSHAFT	1			0.030	
160	06311-55020	STOPFEN	PLUG	1			0.031	
170	04717-01320	GUMMIUNTERLAGE	WASHER,SEAL	1			0.002	



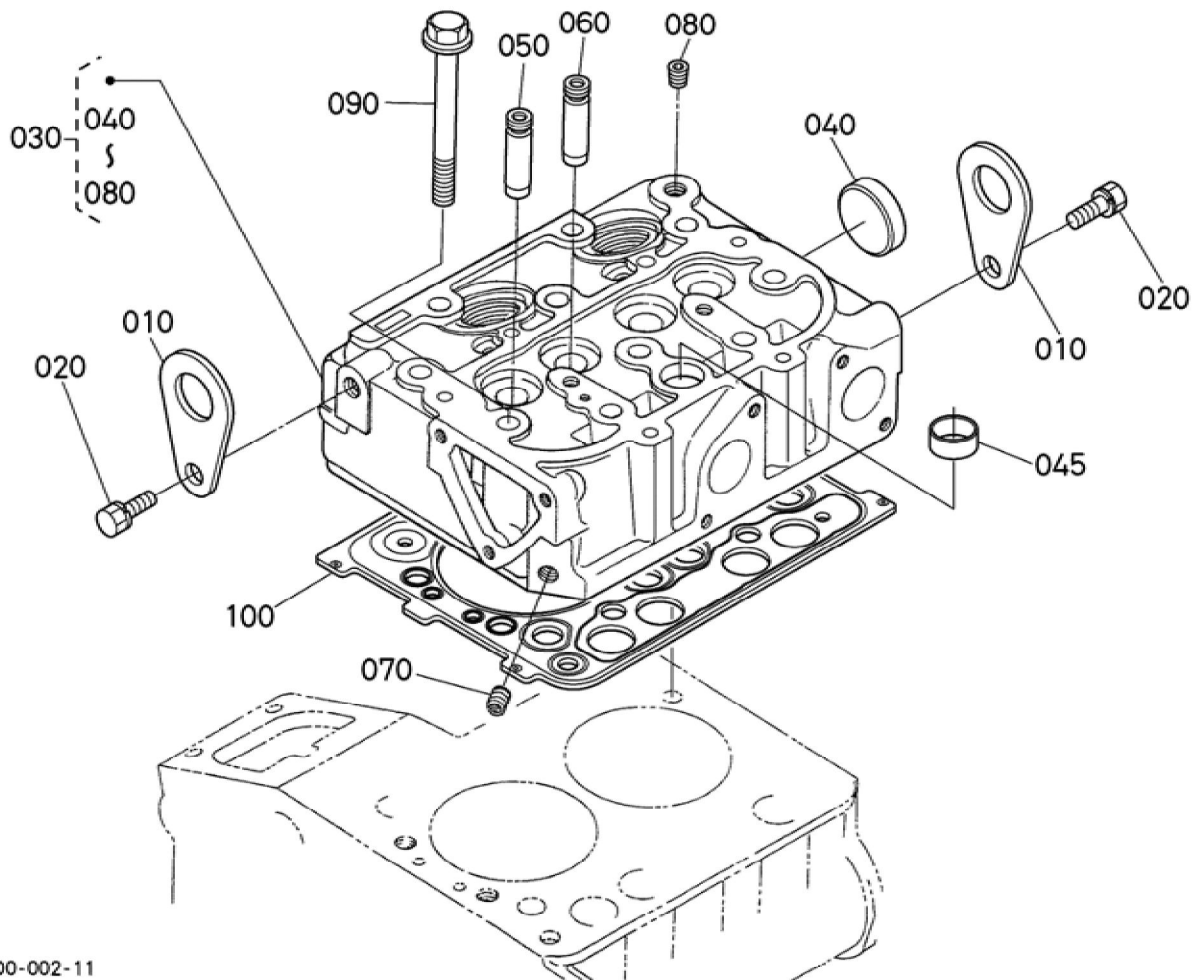
1J000-001-10

BKIDA5175 >> GR1600EU-3-S5 >> MOTOR / ENGINE >> 000200 OL-FANGER / OIL PAN

Update Date : 31-01-2020 Print Date : 11-03-2022

No.	Part Number	Part Name (POL)	Part Name (ENG)	QTY	IC	Serial No./PIN	Kg	Remarks
010	15852-01500	KOMP.OELW ANNE	PAN,OIL,COM P	1			0.800	
020	13901-33750	ENTLEERUN GSSTOPFEN	PLUG,DRAIN	1			0.025	
030	6C090-58960	DICHTUNGSP LATTE	GASKET	1			0.005	
040	01023-50612	BOLZEN	BOLT,SEMS	14			0.005	
050	16851-32110	OELFILTER	FILTER,OIL	1			0.110	
060	04814-00160	O RING	O RING	1			0.001	
070	01123-50814	BOLZEN	BOLT,SEMS	1			0.010	

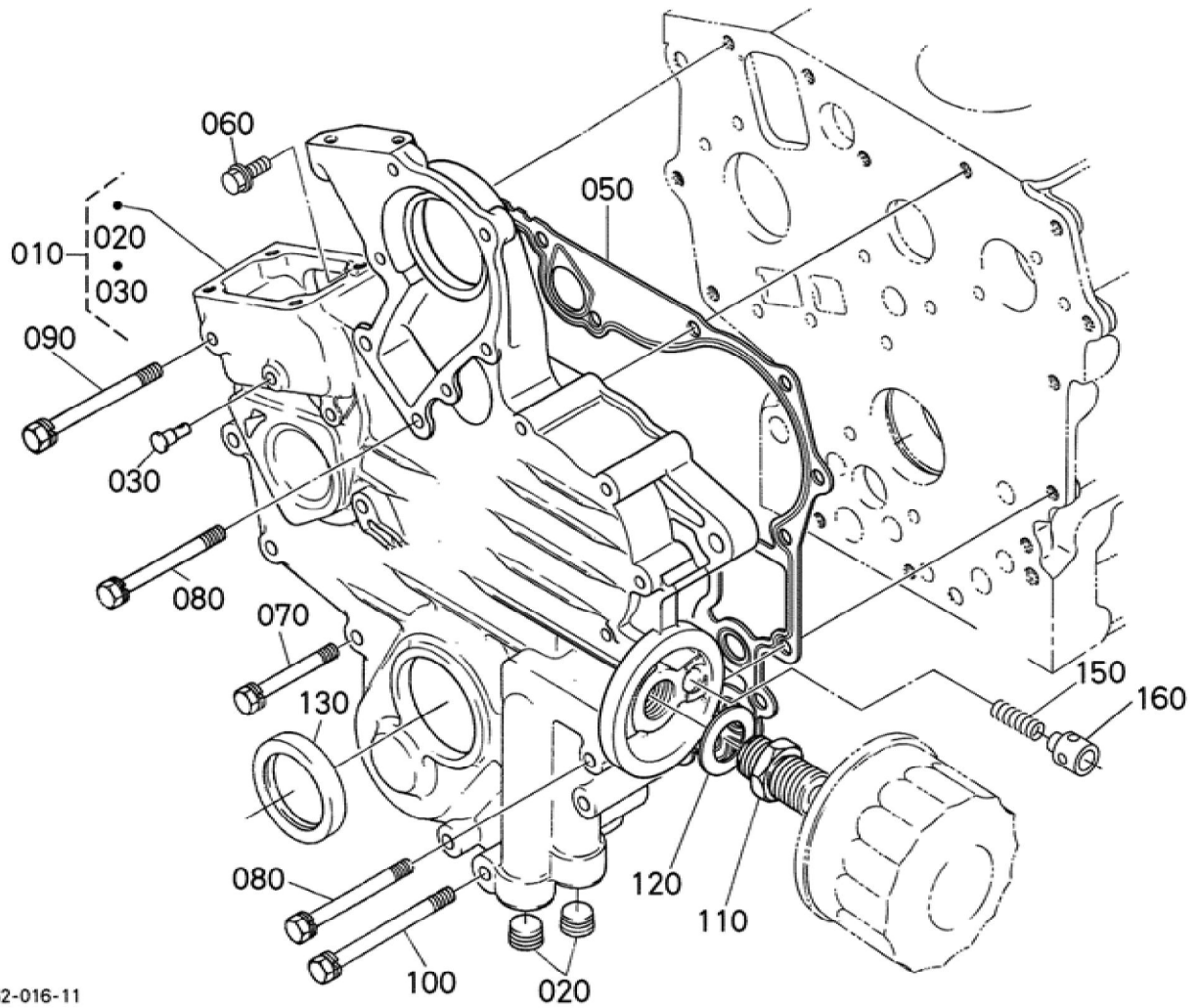
Update Date : 31-01-2020 Print Date : 11-03-2022



Update Date : 31-01-2020 Print Date : 11-03-2022

No.	Part Number	Part Name (POL)	Part Name (ENG)	QTY	IC	Serial No./PIN	Kg	Remarks
010	15221-01750	MOTORHAKEN	HOOK,ENGINE	2			0.040	
020	01123-50816	SCHRAUBE	BOLT,SEMS	2			0.011	
030	1A309-03040	KOMP.ZYLINDERKOPF	HEAD,CYLINDER,COMP	1			5.100	
040	15321-96260	KAPPE	CAP,SEALING	1			0.014	
045	15261-03370	STOEPSEL,ABDICHTUNG	CAP,SEALING	1			0.005	
050	15841-13540	EINLASSVENTILFUEHRUNG	GUIDE,VALVE (INLET)	2			0.014	
060	15841-13560	AUSLASSVENTILFUEHRUNG	GUIDE (EXHAUST VALVE)	2			0.014	
070	15261-96010	STOPFEN	PLUG	1			0.002	
080	1G090-96010	STECKER	PLUG	1			0.003	
090	14601-03450	ZYLINDERKOPFSCHRAUBE	BOLT,HEAD (CYLINDER)	10			0.035	
100	1J090-03310	ZYLINDERKOPFDICHTUNG	GASKET (CYL.HEAD)	1			0.098	

Update Date : 31-01-2020 Print Date : 11-03-2022

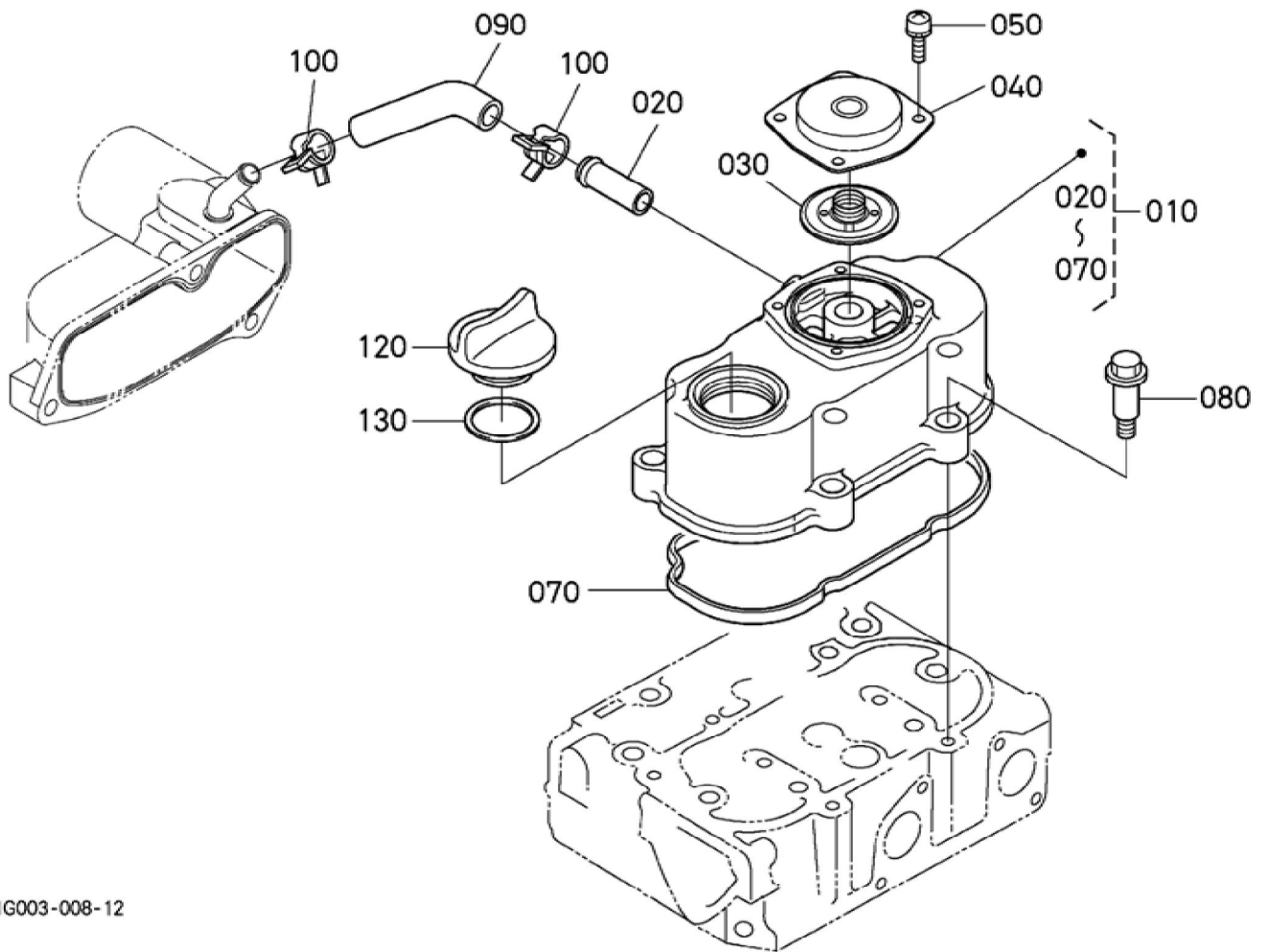


BKIDA5175 >> GR1600EU-3-S5 >> MOTOR / ENGINE >> 000400 GETRIEBE GEHAEUSE / GEAR CASE

Update Date : 31-01-2020 Print Date : 11-03-2022

No.	Part Number	Part Name (POL)	Part Name (ENG)	QTY	IC	Serial No./PIN	Kg	Remarks
010	16823-04024	KMP.GETRIEBEGEHAEUSE	COMP.CASE, GEAR	1			1.700	
020	15521-96030	STOPFEN	PLUG	2			0.007	
030	15841-56280	STARTFEDERSTIFT	PIN(START SPRING)	1			0.005	
050	16871-04130	DICHTUNG	GASKET,GEAR CASE	1			0.080	
060	01754-50616	SCHRAUBE	BOLT,FLANGE	1			0.006	
070	01023-50650	BOLZEN	BOLT,SEMS	8			0.012	
080	15841-91010	BOLZEN	BOLT	5			0.014	
090	01023-50670	BOLZEN	BOLT,SEMS	1			0.015	
100	01023-50675	BOLZEN	BOLT,SEMS	1			0.010	
110	15241-32290	VERBINDUNGSSSTUECK	JOINT,PIPE	1			0.053	
120	15841-94010	SCHEIBE	WASHER,PLAIN	1			0.003	
130	1J094-04140	OELDICHTUNGSRING	SEAL,OIL	1			0.013	
150	1J092-36950	FEDER	SPRING	1			0.004	
160	1J050-36930	UEBERLAUFVENTIL	VALVE (RELIEF)	1			0.005	

Update Date : 31-01-2020 Print Date : 11-03-2022



Update Date : 31-01-2020 Print Date : 11-03-2022

No.	Part Number	Part Name (POL)	Part Name (ENG)	QTY	IC	Serial No./PIN	Kg	Remarks
010	1G957-14504	VENTILDECKEL	ASSY COVER,CYL. HEAD	1			0.480	
020	16241-73370	ROHR	PIPE,WATER RETURN	1			0.007	
030	1G911-05203	ENTLUEFTER	COMP VALVE,BREATH	1			0.010	
040	1G801-05120	ENTLUEFTER DECKEL	COVER,BREATH	1			0.035	
050	03024-50510	SCHRAUBE	SCREW,SEMS(PAN HEAD)	4			0.002	
070	1G957-14520	VENTILDECKELDICHUNG	GASKET,HEAD COVER	1			0.006	
080	1G911-91022	BOLZEN	BOLT	4			0.015	
090	1G960-05514	ROHR	TUBE (BREATH)	1			0.008	
100	09318-88125	SCHLAUCHSCHELLE	CLAMP,HOSE	2			0.001	
120	E9151-33140	OELEINFUELLSTOPFEN	PLUG(OIL FILLER)	1			0.017	
130	1J001-96770	O RING	O RING	1			0.001	



Download the full PDF manual instantly.

Our customer service e-mail:

aservicemanualpdf@yahoo.com