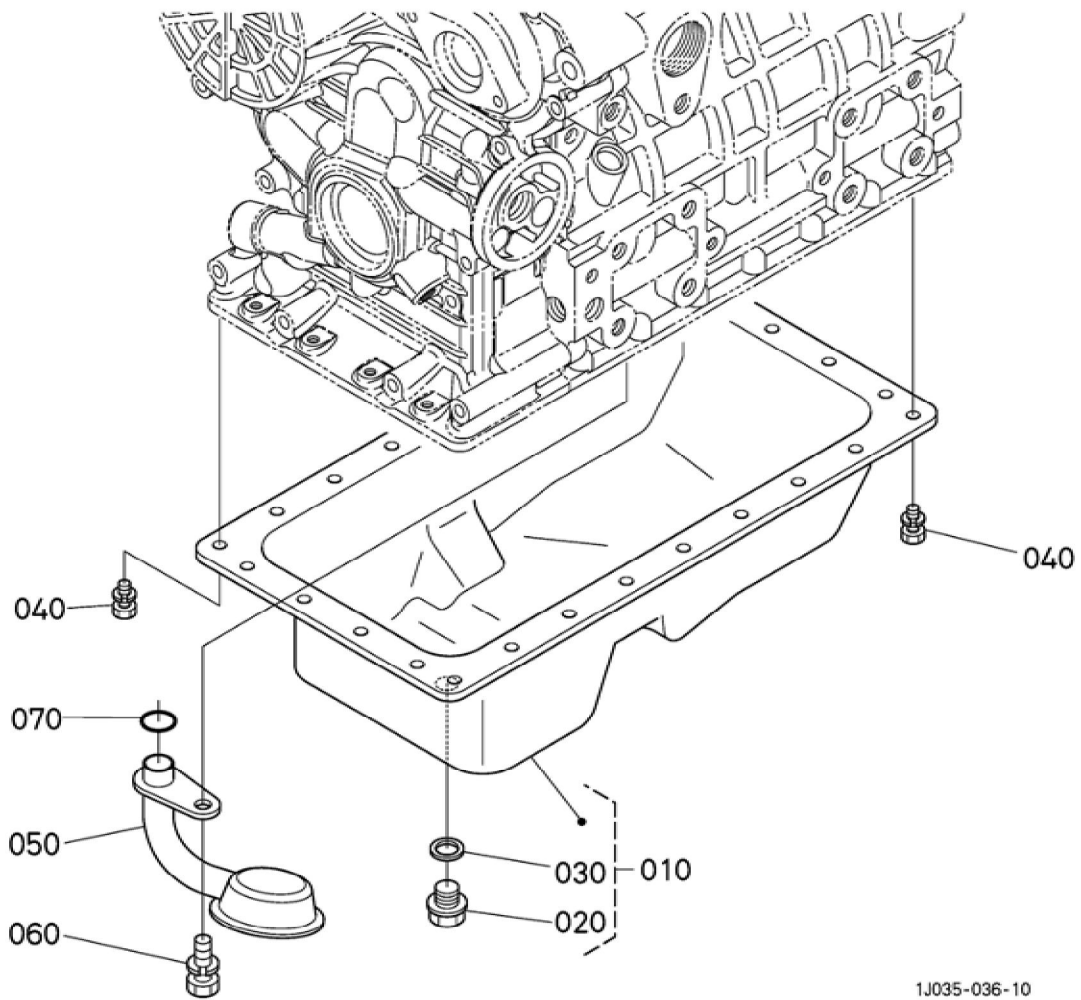


BKIDK5349 >> G261-LD >> MOTOR / ENGINE >> 200100 KURBELGHAEUSE / CRANKCASE

Update Date : 2020/06/05 Print Date : 2022/02/26

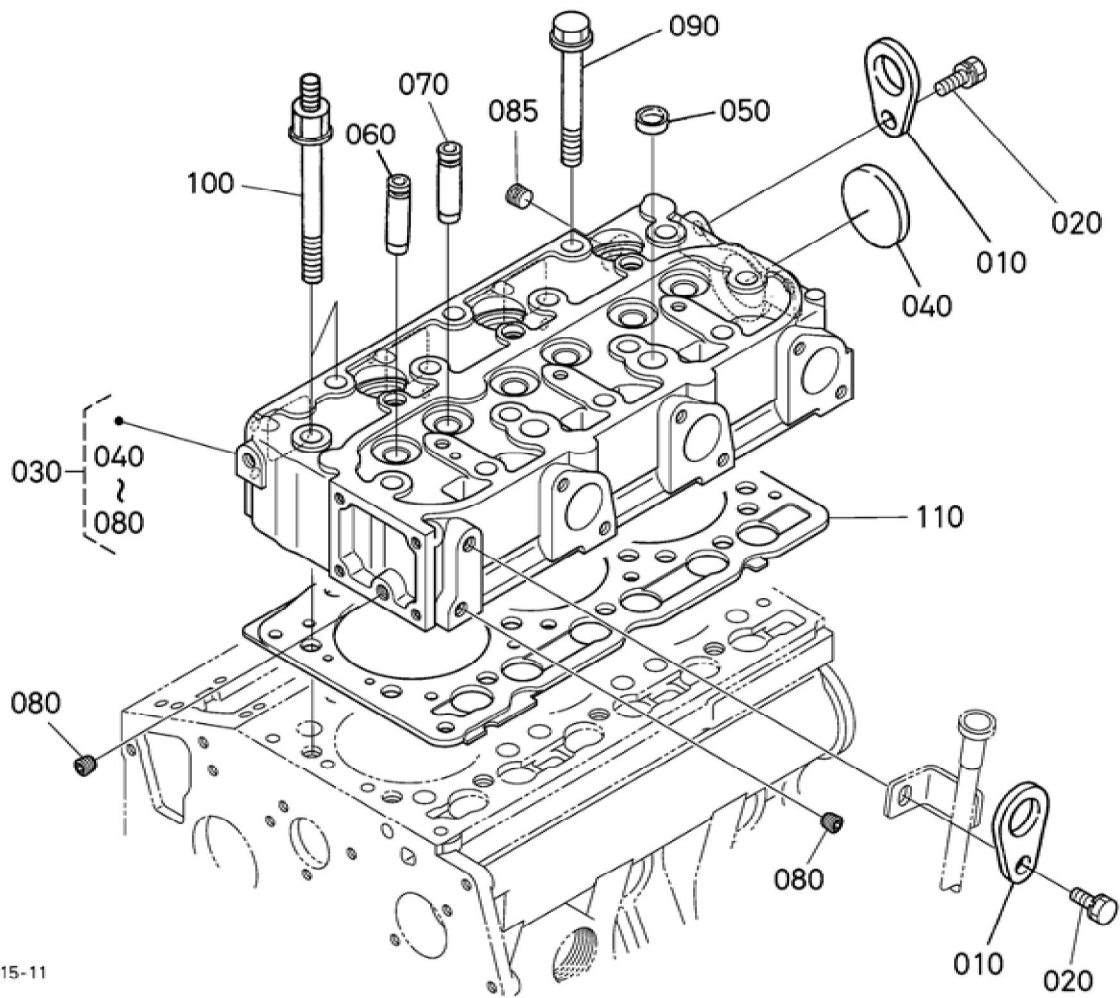
No.	Part Number	Part Name (POL)	Part Name (ENG)	QTY	IC	Serial No./PIN	Kg	Remarks
010	1G036-01040	KOMP.KURBELGEHAEUSE	COMP.CRANKCASE	1			31.000	
020	15451-96270	KAPPE	CAP,SEALING	4			0.010	
030	15221-03490	STOPFEN	CAP,SEALING	1			0.020	
040	15261-96010	STOPFEN	PLUG	3			0.002	
050	16683-96020	STOPFEN	PLUG	1			0.088	
060	16241-96010	STOPFEN	PLUG	3			0.007	
070	15521-96020	STOPFEN	PLUG	2			0.003	
080	17391-96160	STOPFEN	PLUG,EXPANSION	3			0.003	
090	16271-96160	STOPFEN	PLUG,EXPANSION	1			0.025	
100	05012-00508	ZYLINDERSTIFT	PIN,STRAIGHT	2			0.001	
110	05012-00814	ZYLINDERSTIFT	PIN,STRAIGHT	2			0.006	
120	05012-00610	ZYLINDERSTIFT	PIN,STRAIGHT	2			0.003	
130	15231-33960	ROHRSTIFT	PIN,PIPE	2			0.001	
140	16241-33650	ROHRSTIFT	PIN,PIPE	1			0.002	
150	16241-96262	STOPFEN	PLUG,FUELCAMSHAFT	1			0.007	
160	16261-56280	STARTFEDERSTIFT	PIN(START SPRING)	1			0.004	
170	16282-96010	STOPFEN	PLUG	1			0.090	
180	16271-55350	BUCHSE	BUSHING (GEAR,GOVERNOR)	1			0.060	
190	1G896-33610	BOLZEN	PLUG	1			0.008	
200	15021-33660	DICHTUNGSPLATTE	PACKING	1			0.001	
210	06311-55020	STOPFEN	PLUG	1			0.031	
220	04717-01320	GUMMIUNTERLAGE	WASHER,SEAL	1			0.002	



BKIDK5349 >> G261-LD >> MOTOR / ENGINE >> 200200 OELWANNE / OIL PAN

Update Date : 2020/06/05 Print Date : 2022/02/26

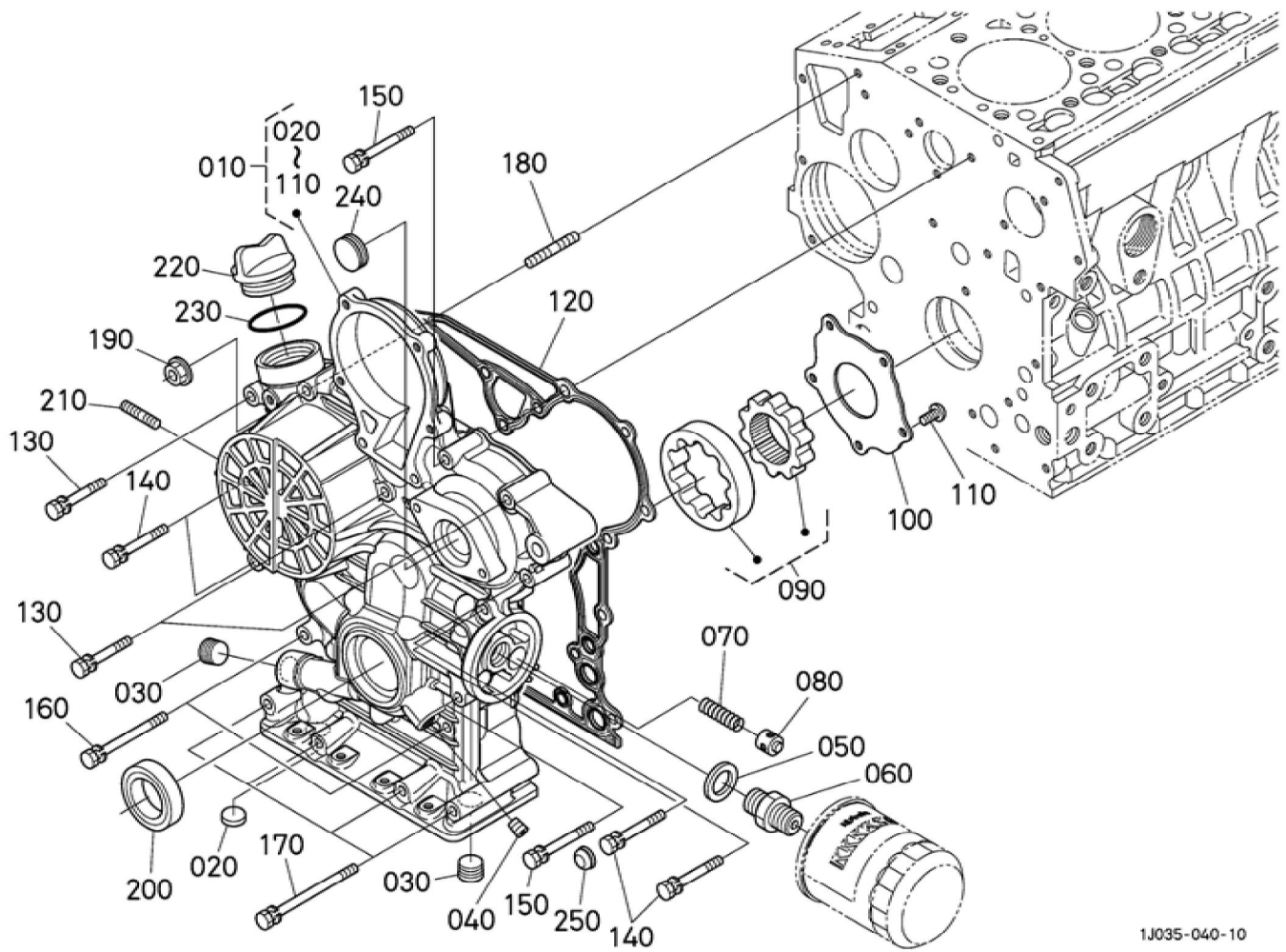
No.	Part Number	Part Name (POL)	Part Name (ENG)	QTY	IC	Serial No./PIN	Kg	Remarks
010	1J030-01600	GRP.OELWANNE	KIT OIL PAN	1			1.557	
020	13901-33750	ENTLEERUNGSSTOPFEN	PLUG,DRAIN	1			0.025	
030	15862-96670	DICHTUNGSPLATTE	GASKET	1			0.001	
040	01023-50614	BOLZEN	BOLT,SEMS	26			0.005	
050	1J030-32110	OELFILTER	FILTER,OIL	1			0.100	
060	01123-50816	SCHRAUBE	BOLT,SEMS	1			0.011	
070	04814-00160	O RING	O RING	1			0.001	



BKIDK5349 >> G261-LD >> MOTOR / ENGINE >> 200300 ZYLINDERKOPF / CYLINDER HEAD

Update Date : 2020/06/05 Print Date : 2022/02/26

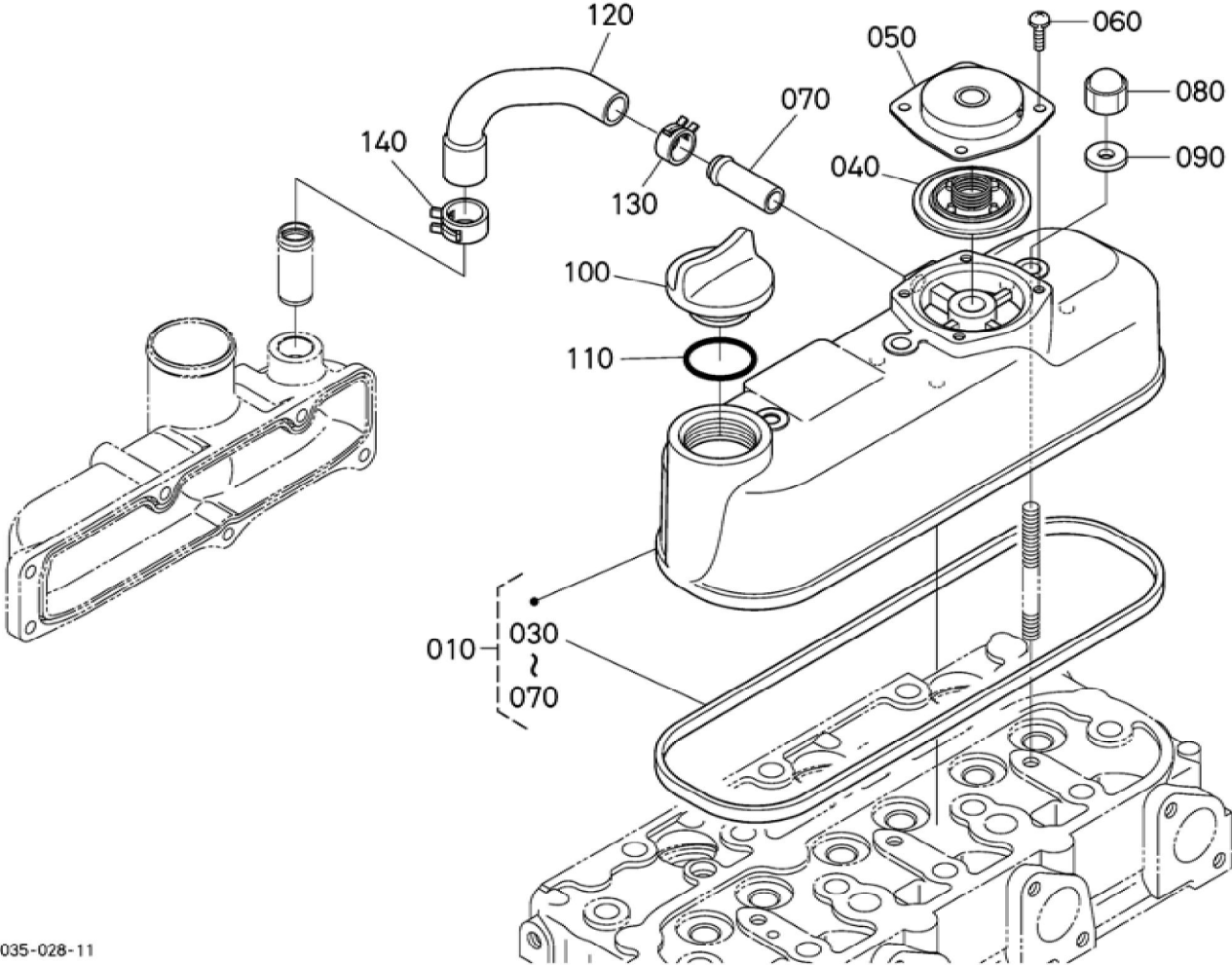
No.	Part Number	Part Name (POL)	Part Name (ENG)	QTY	IC	Serial No./PIN	Kg	Remarks
010	15221-01750	MOTORHAKEN	HOOK,ENGINE	2			0.040	
020	01123-50814	BOLZEN	BOLT,SEMS	2			0.010	
030	1G042-03043	KOMP.ZYLINDERKOPF	COMP.CYLINDER HEAD	1			9.000	
040	15321-96260	KAPPE	CAP,SEALING	1			0.014	
050	15261-03370	STOEPSEL,ABDICHTUNG	CAP,SEALING	2			0.005	
060	16261-13540	EINLASSVENTILFUEHRUNG	GUIDE,INLET VALVE	3			0.020	
070	16261-13560	AUSLASSVENTILFUEHRUNG	GUIDE,EXHAUST VALVE	3			0.019	
080	15261-96010	STOPFEN	PLUG	2			0.002	
085	15841-96020	STOPFEN	PLUG	1			0.020	
090	16241-03450	ZYLINDERKOPFSCHRAUBE	BOLT,HEAD (CYLINDER)	12			0.050	
100	16216-03450	ZYLINDERKOPFSCHRAUBE	BOLT,CYLINDER HEAD	2			0.070	
110	1G040-03310	ZYLINDERKOPFDICHTUNG	GASKET,CYLINDER HEAD	1			0.150	



BKIDK5349 >> G261-LD >> MOTOR / ENGINE >> 200400 GETRIEBE GEHAEUSE / GEAR CASE

Update Date : 2020/06/05 Print Date : 2022/02/26

No.	Part Number	Part Name (POL)	Part Name (ENG)	QTY	IC	Serial No./PIN	Kg	Remarks
010	1G900-04025	KMP.GETRIEBEGEHAEUSE	COMP.CASE, GEAR	1			2.950	
020	06311-85016	STOEPSSEL,ABDICHTUNG	CAP,SEALING	1			0.003	
030	16241-96020	STOPFEN	PLUG	2			0.015	
040	16261-96010	STOPFEN	PLUG	1			0.002	
050	04011-50180	SCHEIBE	WASHER,PLAIN	1			0.012	
060	15241-32290	VERBINDUNGSSSTUECK	JOINT,PIPE	1			0.053	
070	1J050-36950	FEDER	SPRING	1			0.004	
080	1J050-36930	UEBERLAUFVENTIL	VALVE (RELIEF)	1			0.005	
090	1J050-35070	ROTOR KOMP.	ROTOR,ASSY (OIL PUMP)	1			0.244	
100	1J050-35132	DECKEL, OELPUMPE	COVER(OIL PUMP)	1			0.085	
110	03017-50614	SCHRAUBE	SCREW,BINDING(PHILLIPS)	5			0.005	
120	1G700-04133	DICHTUNG	GASKET,GEAR CASE	1			0.015	
130	01023-50645	BOLZEN	BOLT,SEMS	3			0.010	
140	01023-50650	BOLZEN	BOLT,SEMS	4			0.012	
150	01023-50655	BOLZEN	BOLT,SEMS	2			0.012	
160	01023-50670	BOLZEN	BOLT,SEMS	2			0.015	
170	01023-50685	BOLZEN	BOLT,SEMS	4			0.018	
180	16245-91530	STEBBOLZEN	STUD	1			0.010	
190	02751-50060	MUTTER	NUT,FLANGE	1			0.005	
200	16241-04212	OELDICHTUNGSRING	SEAL,OIL	1			0.012	
210	16245-91540	STEBBOLZEN	STUD	2			0.005	
220	E9151-33140	OELEINFUELLSTOPFEN	PLUG(OIL FILLER)	1			0.017	
230	1J001-96770	O RING	O RING	1			0.001	
240	16264-83342	DECKEL, GETRIEBEGEHAEUSE	COVER,GEAR CASE	1			0.010	
250	T2255-74170	GUMMIKAPPE	CAP	1			0.001	



BKIDK5349 >> G261-LD >> MOTOR / ENGINE >> 200500 ZYLINDERKOPF-DECKEL / HEAD COVER

Update Date : 2020/06/05 Print Date : 2022/02/26

No.	Part Number	Part Name (POL)	Part Name (ENG)	QTY	IC	Serial No./PIN	Kg	Remarks
010	1G032-14580	DECKEL OBEN,KOMP.	COVER,HEAD ,ASSY	1			0.800	
030	16261-14524	VENTILDECK ELDICHTUNG	GASKET,HEA D COVER	1			0.010	
040	1G911-05203	ENTLUEFTER	COMP VALVE,BREA THER	1			0.010	
050	1G801-05120	ENTLUEFTER DECKEL	COVER,BREA THER	1			0.035	
060	03024-50510	SCHRAUBE	SCREW,SEM S(PAN HEAD)	4			0.002	
070	17331-73342	WASSERROH R	PIPE,WATER RETURN	1			0.010	
080	15952-92330	MUTTER	NUT,CAP	3			0.010	
090	15951-96660	DICHTUNGSP LATTE	PACKING	3			0.001	
100	E9151-33140	OELEINFUEL LSTOPFEN	PLUG(OIL FILLER)	1			0.017	
110	1J001-96770	O RING	O RING	1			0.001	
120	1G053-05512	ROHR	TUBE,BREAT HER	1			0.018	
130	09318-88150	SCHLAUCHBI NDER	CLAMPHOSE	1			0.004	
140	16259-05580	SCHLAUCHBI NDER	BAND,PIPE	1			0.030	



Download the full PDF manual instantly.

Our customer service e-mail:

aservicemanualpdf@yahoo.com