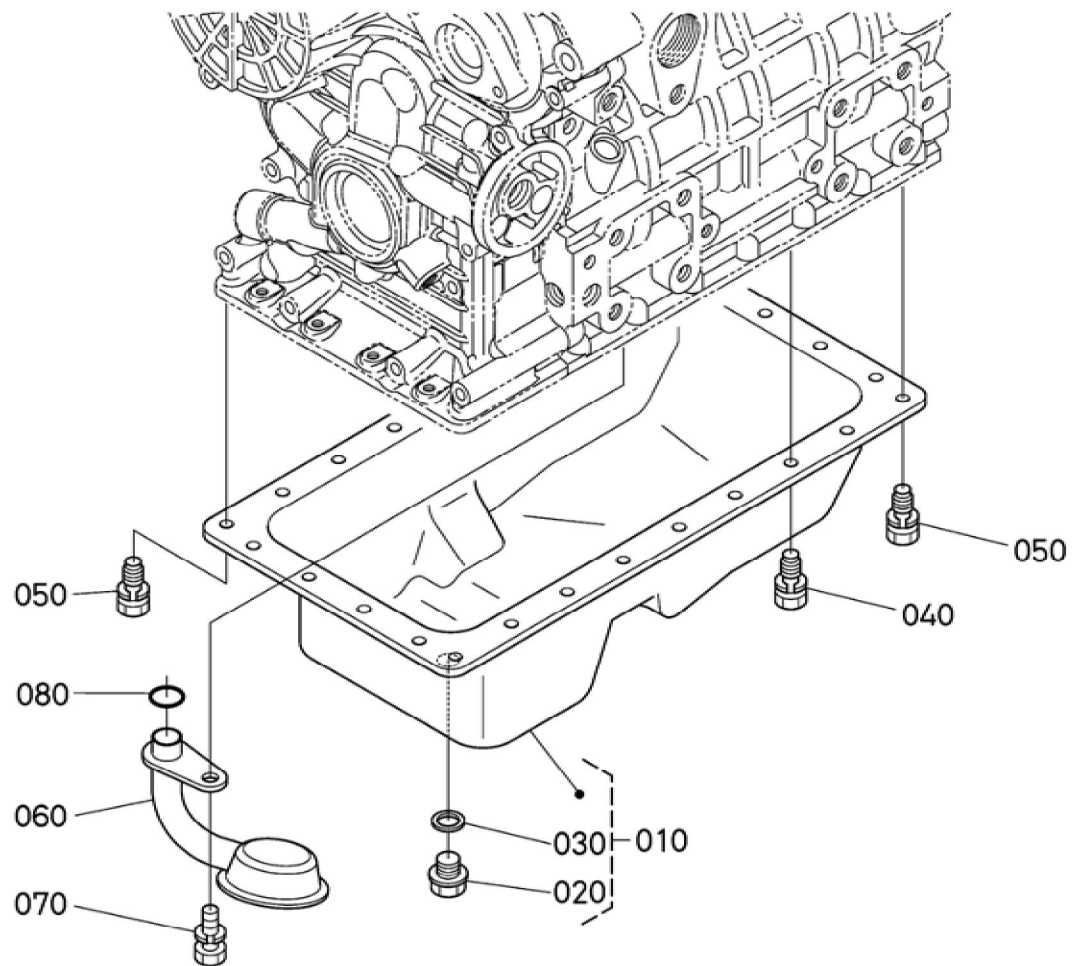




## BKIDK5026 &gt;&gt; G26-II-HD &gt;&gt; MOTOR / ENGINE &gt;&gt; 200100 KURBELGEHAEUSE / CRANKCASE

Update Date : 2017/05/12 Print Date : 2022/02/28

No.	Part Number	Part Name (POL)	Part Name (ENG)	QTY	IC	Serial No./PIN	Kg	Remarks
010	1G036-01040	KOMP.KURBELGEHAEUSE	COMP.CRANKCASE	1			31.000	
020	15451-96270	KAPPE	CAP,SEALING	4			0.010	
030	15221-03490	STOPFEN	CAP,SEALING	1			0.020	
040	15261-96010	STOPFEN	PLUG	3			0.002	
050	16683-96020	STOPFEN	PLUG	1			0.088	
060	16241-96010	STOPFEN	PLUG	3			0.007	
070	15521-96020	STOPFEN	PLUG	2			0.003	
080	17391-96160	STOPFEN	PLUG,EXPANSION	3			0.003	
090	16271-96160	STOPFEN	PLUG,EXPANSION	1			0.025	
100	05012-00508	ZYLINDERSTIFT	PIN,STRAIGHT	2			0.001	
110	05012-00814	ZYLINDERSTIFT	PIN,STRAIGHT	2			0.006	
120	05012-00610	ZYLINDERSTIFT	PIN,STRAIGHT	2			0.003	
130	15231-33960	ROHRSTIFT	PIN,PIPE	2			0.001	
140	16241-33650	ROHRSTIFT	PIN,PIPE	1			0.002	
150	16241-96262	STOPFEN	PLUG,FUEL CAMSHAFT	1			0.007	
160	16261-56280	STARTFEDERSTIFT	PIN(START SPRING)	1			0.004	
170	16282-96010	STOPFEN	PLUG	1			0.090	
180	16271-55350	BUCHSE	BUSHING (GEAR,GOVERNOR)	1			0.060	
190	1G896-33610	BOLZEN	PLUG	1			0.008	
200	15021-33660	DICHTUNGSPLATTE	PACKING	1			0.001	
210	06311-55020	STOPFEN	PLUG	1			0.031	
220	04724-00130	DICHTUNGSPLATTE	GASKET	1			0.003	
230	1G513-36550	STOPFEN, OELMESSSTAB	PLUG,OIL GAUGE	1			0.004	

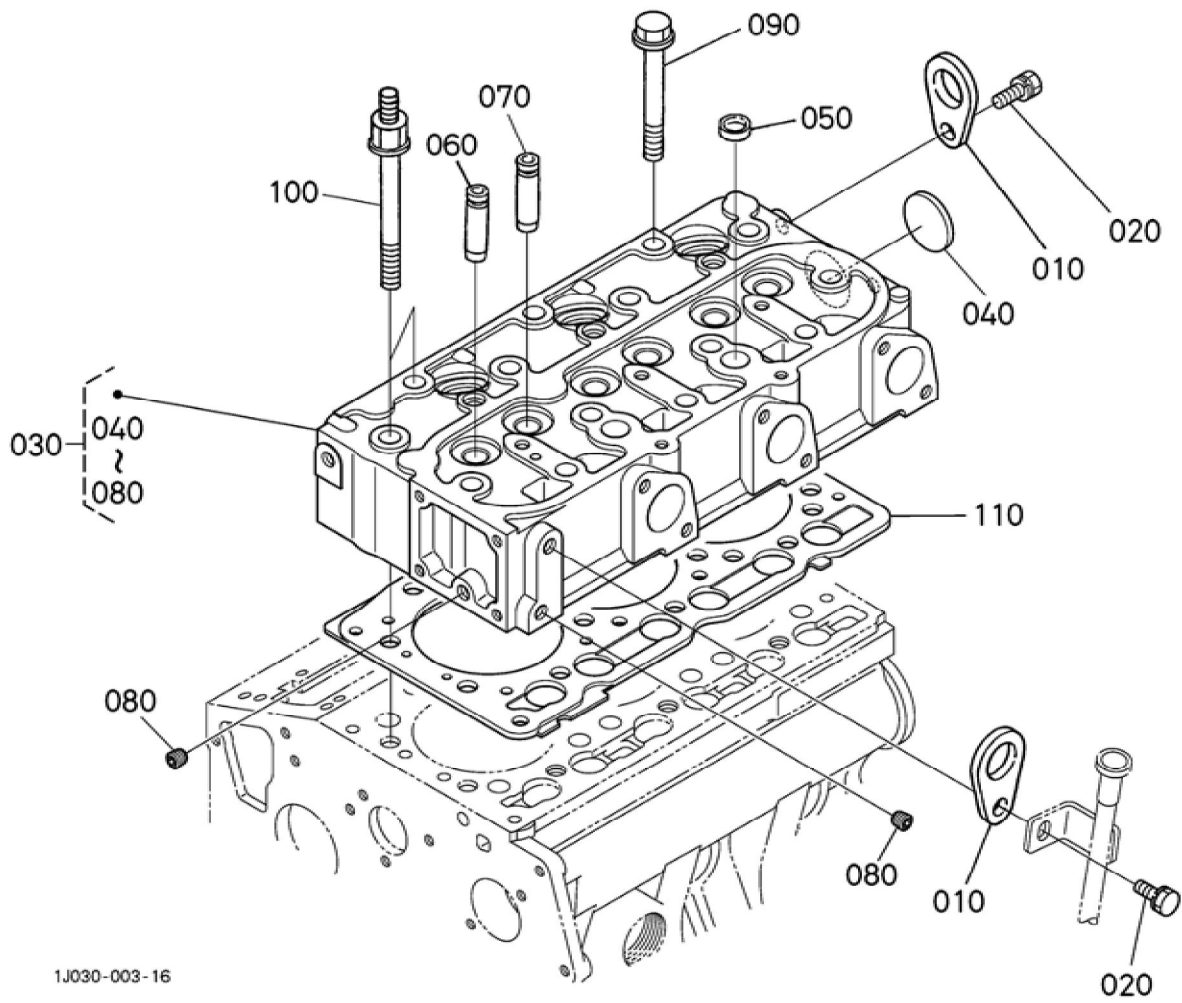


## BKIDK5026 &gt;&gt; G26-II-HD &gt;&gt; MOTOR / ENGINE &gt;&gt; 200200 OL-FANGER / OIL PAN

Update Date : 2017/05/12 Print Date : 2022/02/28

No.	Part Number	Part Name (POL)	Part Name (ENG)	QTY	IC	Serial No./PIN	Kg	Remarks
010	1J030-01600	GRP.OELWA NNE	KIT OIL PAN	1			1.557	
020	13901-33750	ENTLEERUN GSSTOPFEN	PLUG,DRAIN	1			0.025	
030	15862-96670	DICHTUNGSP LATTE	GASKET	1			0.001	
040	01023-50614	BOLZEN	BOLT,SEMS	24			0.005	
050	01023-50614	BOLZEN	BOLT,SEMS	2			0.005	
060	1J030-32110	OELFILTER	FILTER,OIL	1			0.100	
070	01123-50816	SCHRAUBE	BOLT,SEMS	1			0.011	
080	04814-00160	O RING	O RING	1			0.001	

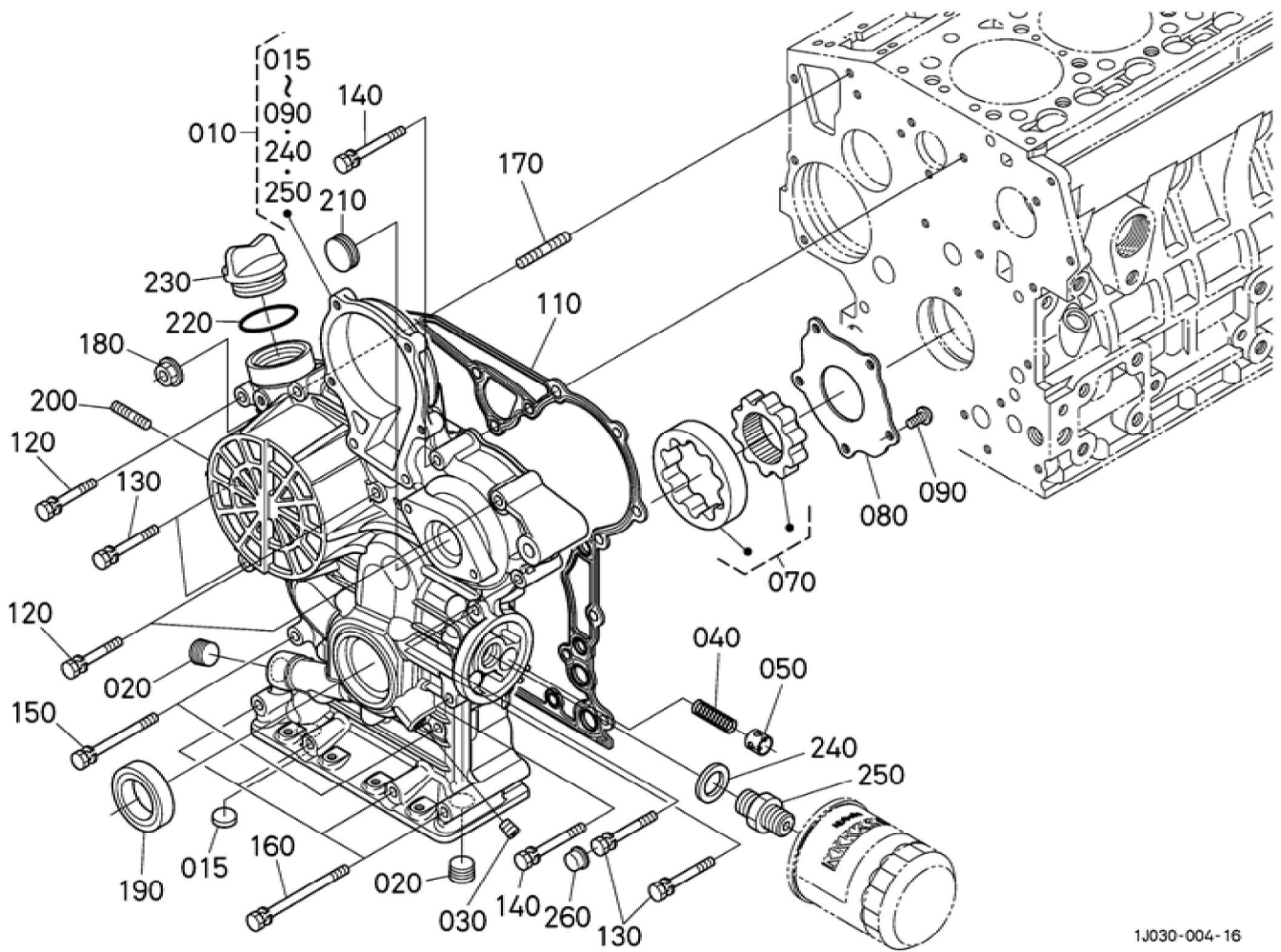
Update Date : 2017/05/12 Print Date : 2022/02/28



## BKIDK5026 &gt;&gt; G26-II-HD &gt;&gt; MOTOR / ENGINE &gt;&gt; 200300 ZYLINDERKOPF / CYLINDER HEAD

Update Date : 2017/05/12 Print Date : 2022/02/28

No.	Part Number	Part Name (POL)	Part Name (ENG)	QTY	IC	Serial No./PIN	Kg	Remarks
010	15221-01750	MOTORHAKEN	HOOK,ENGINE	2			0.040	
020	01123-50814	BOLZEN	BOLT,SEMS	2			0.010	
030	1G042-03043	KOMP.ZYLINDERKOPF	COMP.CYLINDER HEAD	1			9.000	
040	15321-96260	KAPPE	CAP,SEALING	1			0.014	
050	15261-03370	STOEPSEL,ABDICHTUNG	CAP,SEALING	2			0.005	
060	16261-13540	EINLASSVENTILFUEHRUNG	GUIDE,INLET VALVE	3			0.020	
070	16261-13560	AUSLASSVENTILFUEHRUNG	GUIDE,EXHAUST VALVE	3			0.019	
080	15261-96010	STOPFEN	PLUG	2			0.002	
090	16241-03450	ZYLINDERKOPFSCHRAUBE	BOLT,HEAD (CYLINDER)	12			0.050	
100	16216-03450	ZYLINDERKOPFSCHRAUBE	BOLT,CYLINDER HEAD	2			0.070	
110	1G040-03310	ZYLINDERKOPFDICHTUNG	GASKET,CYLINDER HEAD	1			0.150	



## BKIDK5026 &gt;&gt; G26-II-HD &gt;&gt; MOTOR / ENGINE &gt;&gt; 200400 GETRIEBE GEHAEUSE / GEAR CASE

Update Date : 2017/05/12 Print Date : 2022/02/28

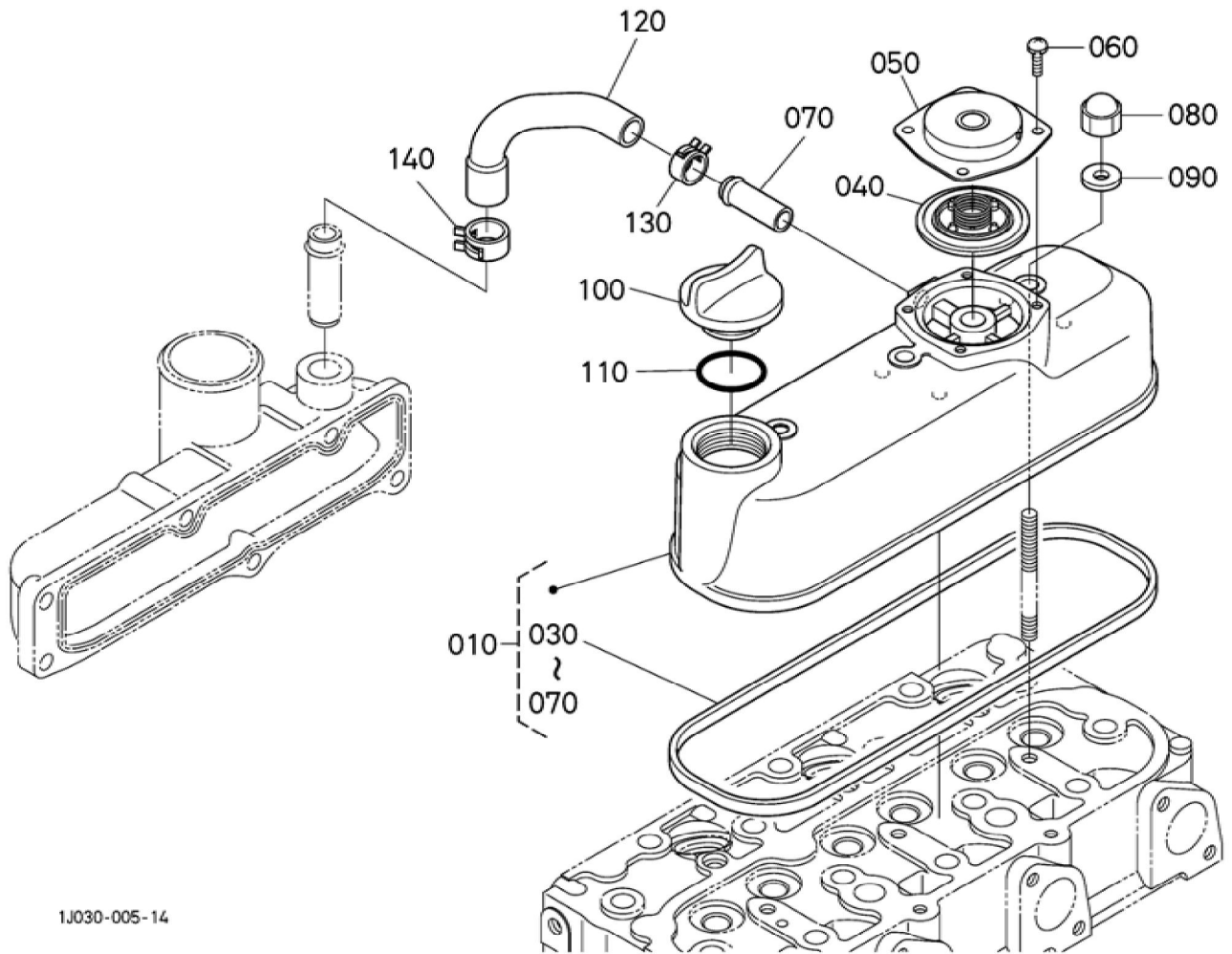
No.	Part Number	Part Name (POL)	Part Name (ENG)	QTY	IC	Serial No./PIN	Kg	Remarks
010	1G900-04024	KMP.GETRIEBEGEHAEUSE	COMP.CASE, GEAR	1		<=1DHZ999	2.950	
010	1G900-04025	KMP.GETRIEBEGEHAEUSE	COMP.CASE, GEAR	1	>>	>=1DJ0001	2.950	
015	06311-85016	STOEPSSELABDICHTUNG	CAP,SEALING	1			0.003	
020	16241-96020	STOPFEN	PLUG	2			0.015	
030	15521-96020	STOPFEN	PLUG	1			0.003	
040	1J050-36950	FEDER	SPRING	1			0.004	
050	1J050-36930	UEBERLAUFVENTIL	VALVE (RELIEF)	1			0.005	
070	16241-35070	ROTOR KOMP.	ASSY ROTOR,OIL PUMP	1		<=1DHZ999	0.270	
070	1J050-35070	ROTOR KOMP.	ROTOR,ASSY (OIL PUMP)	1	NI	>=1DJ0001	0.244	
080	16251-35130	DECKEL, OELPUMPE	COVER,OIL PUMP	1		<=1DHZ999	0.090	
080	1J050-35132	DECKEL, OELPUMPE	COVER(OIL PUMP)	1	NI	>=1DJ0001	0.085	
090	03017-50620	SCHRAUBE	SCREW,BINDING(PHILLIPS)	5		<=1DHZ999	0.005	
090	03017-50614	SCHRAUBE	SCREW,BINDING(PHILLIPS)	5	NI	>=1DJ0001	0.005	
110	1G700-04132	DICHTUNG	GASKET,GEAR CASE	1			0.015	
120	01023-50645	BOLZEN	BOLT,SEMS	3			0.010	
130	01023-50650	BOLZEN	BOLT,SEMS	4			0.012	
140	01023-50655	BOLZEN	BOLT,SEMS	2			0.012	
150	01023-50670	BOLZEN	BOLT,SEMS	2			0.015	
160	01023-50685	BOLZEN	BOLT,SEMS	4			0.018	
170	16245-91530	STEBBOLZEN	STUD	1			0.010	
180	02751-50060	MUTTER	NUT,FLANGE	1			0.005	
190	16241-04212	OELDICHTUNGSRING	SEAL,OIL	1			0.012	
200	16245-91540	STEBBOLZEN	STUD	2			0.005	
210	16264-83342	DECKEL, GETRIEBEGEHAEUSE	COVER,GEAR CASE	1			0.010	



## BKIDK5026 &gt;&gt; G26-II-HD &gt;&gt; MOTOR / ENGINE &gt;&gt; 200400 GETRIEBE GEHAEUSE / GEAR CASE

Update Date : 2017/05/12 Print Date : 2022/02/28

No.	Part Number	Part Name (POL)	Part Name (ENG)	QTY	IC	Serial No./PIN	Kg	Remarks
220	1J001-96770	O RING	O RING	1			0.001	
230	E9151-33140	OELEINFUEL LSTOPFEN	PLUG(OIL FILLER)	1			0.017	
240	04011-50180	SCHEIBE	WASHER,PLA IN	1			0.012	
250	15241-32290	VERBINDUNG SSTUECK	JOINT,PIPE	1			0.053	
260	T2255-74170	GUMMIKAPP E	CAP	1			0.001	





**Download the full PDF manual instantly.**

**Our customer service e-mail:**

**[aservicemanualpdf@yahoo.com](mailto:aservicemanualpdf@yahoo.com)**