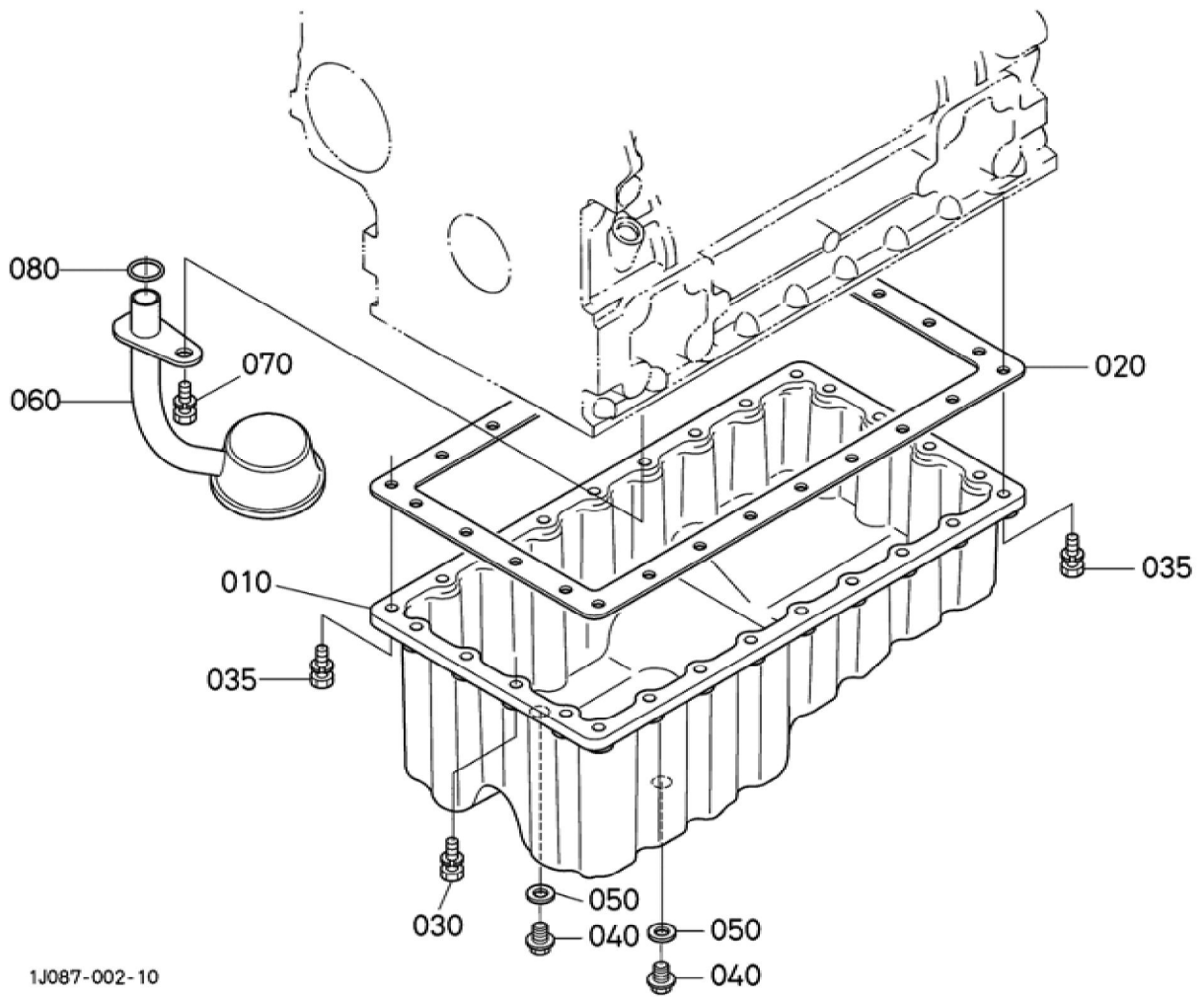


BKIDA5064 >> F3890-EU >> MOTOR / ENGINE >> 100100 KURBELGHAEUSE / CRANKCASE

Update Date : 2020/05/28 Print Date : 2022/02/20

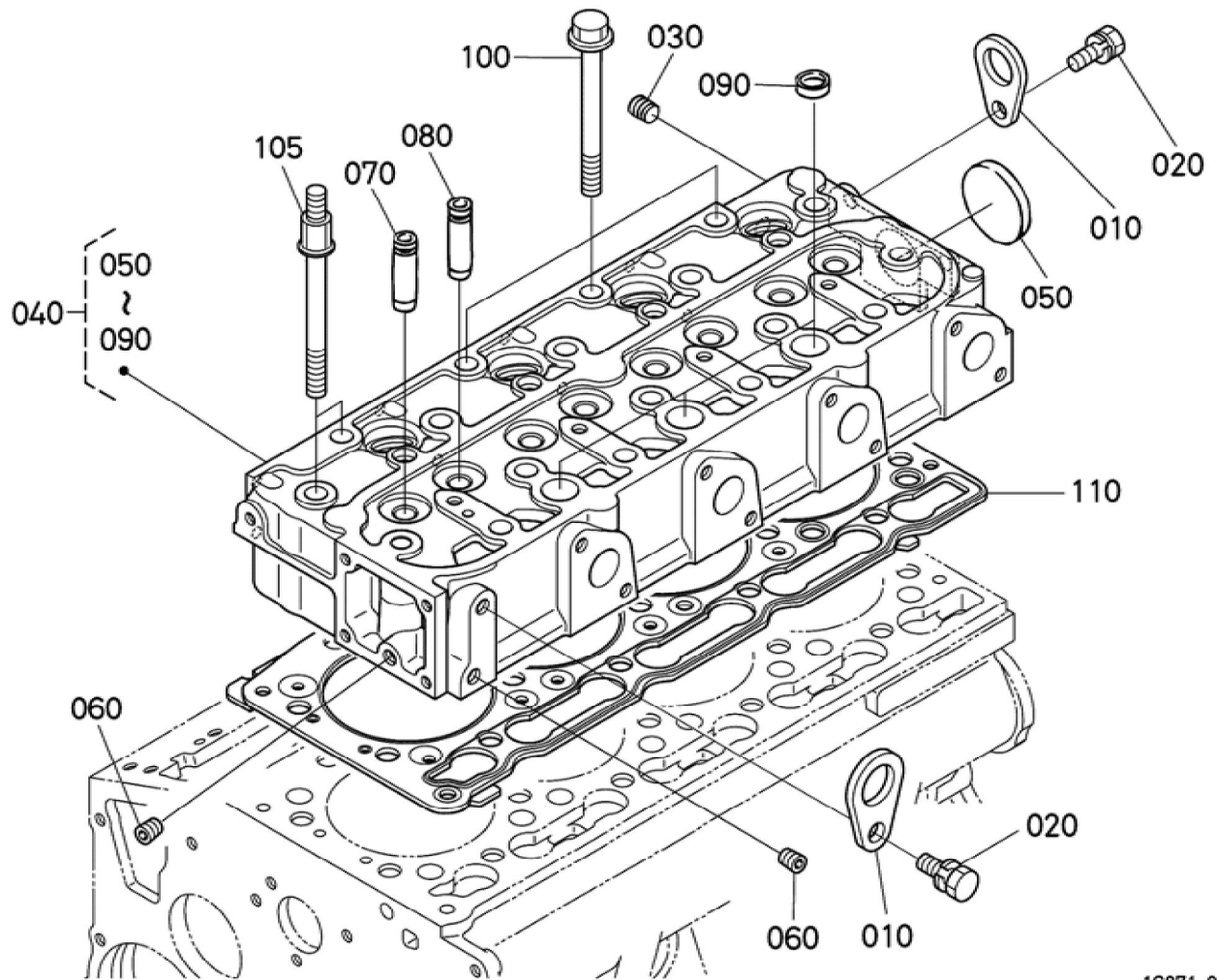
No.	Part Number	Part Name (POL)	Part Name (ENG)	QTY	IC	Serial No./PIN	Kg	Remarks
010	1G698-01012	KOMP.KURBELGEHAEUSE	COMP.CRANKCASE	1		<=1JBZ999	38.000	
010	1G090-01013	KURBELGHAEUSE,KOMP.	COMP.CRANKCASE	1	>>	>=1JC0001	50.000	
020	15451-96270	KAPPE	CAP,SEALING	6			0.010	
030	15221-03490	STOPFEN	CAP,SEALING	1			0.020	
040	15261-96010	STOPFEN	PLUG	4			0.002	
050	16683-96020	STOPFEN	PLUG	1			0.088	
060	16241-96010	STOPFEN	PLUG	3			0.007	
070	15521-96020	STOPFEN	PLUG	2			0.003	
080	17391-96160	STOPFEN	PLUG,EXPANSION	3			0.003	
090	16271-96160	STOPFEN	PLUG,EXPANSION	1			0.025	
100	05012-00508	ZYLINDERSTIFT	PIN,STRAIGHT	2			0.001	
110	05012-00814	ZYLINDERSTIFT	PIN,STRAIGHT	2			0.006	
120	05012-00610	ZYLINDERSTIFT	PIN,STRAIGHT	2			0.003	
130	15231-33960	ROHRSTIFT	PIN,PIPE	2			0.001	
140	16241-33650	ROHRSTIFT	PIN,PIPE	1			0.002	
150	16241-96262	STOPFEN	PLUG,FUELCAMSHAFT	1			0.007	
160	16221-56280	STARTFEDERSTIFT	PIN,STARTSPRING	1			0.005	
170	16282-96010	STOPFEN	PLUG	1			0.090	
180	16271-55350	BUCHSE	BUSHING (GEAR,GOVERNOR)	1			0.060	
190	1G896-33610	BOLZEN	PLUG	1			0.008	
200	15021-33660	DICHTUNGSPLATTE	PACKING	1			0.001	
220	15321-73340	WASSERROHR	PIPE(WATER RETURN)	1			0.016	



BKIDA5064 >> F3890-EU >> MOTOR / ENGINE >> 100200 OL-FANGER / OIL PAN

Update Date : 2020/05/28 Print Date : 2022/02/20

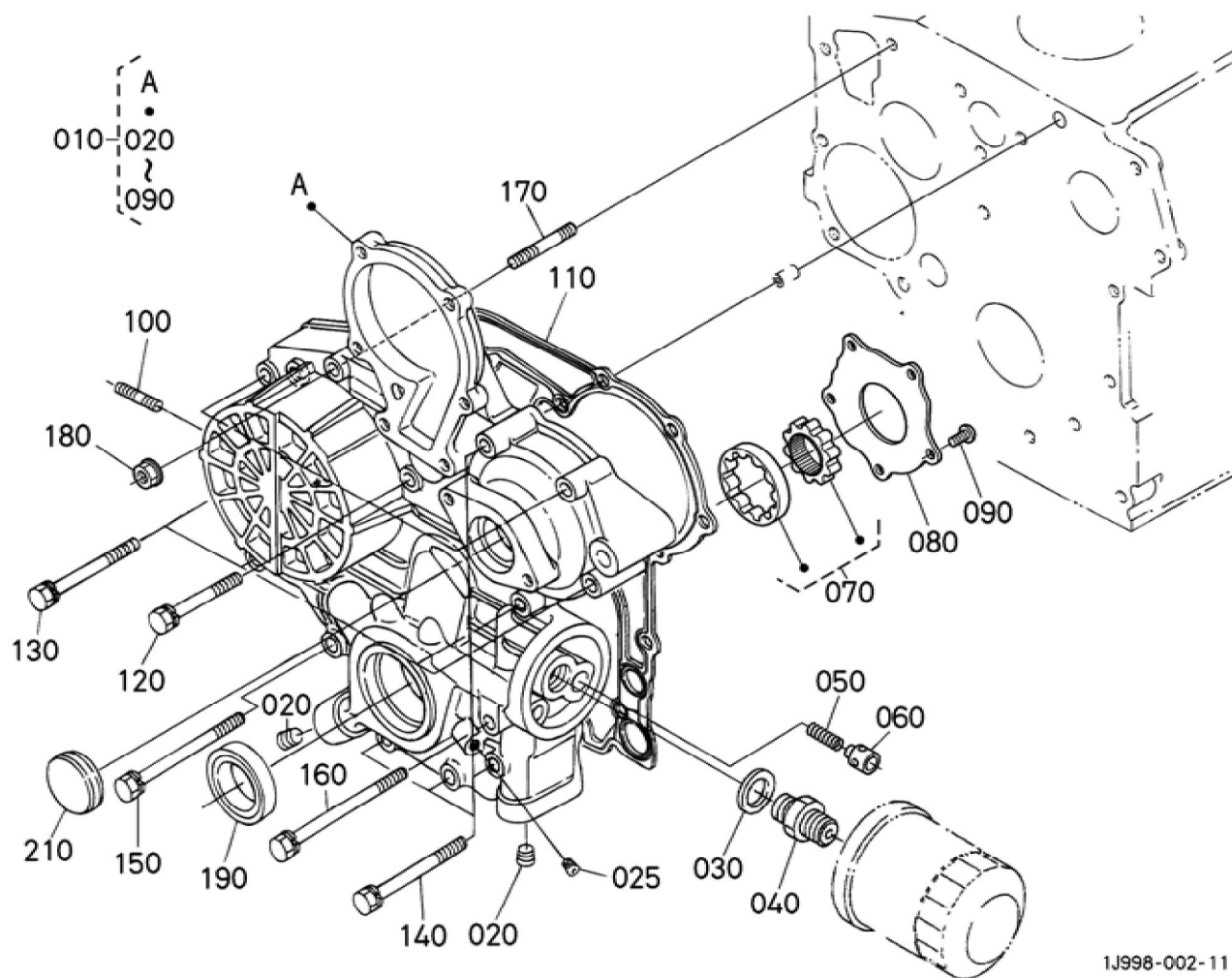
No.	Part Number	Part Name (POL)	Part Name (ENG)	QTY	IC	Serial No./PIN	Kg	Remarks
010	1G871-01610	OELWANNE	OIL PAN	1			2.010	
020	16252-01630	DICHTUNG	GASKET,OIL PAN	1			0.012	
030	01023-50620	BOLZEN	BOLT,SEMS	24			0.006	
035	01023-50620	BOLZEN	BOLT	2			0.006	
040	13901-33750	ENTLEERUNGSSTOPFEN	PLUG,DRAIN	2			0.025	
050	6C090-58960	DICHTUNGSPLATTE	GASKET	2			0.005	
060	1J087-32110	OELFILTER	FILTER(OIL)	1			0.105	
070	01123-50816	SCHRAUBE	BOLT,SEMS	1			0.011	
080	04814-00160	O RING	O RING	1			0.001	



BKIDA5064 >> F3890-EU >> MOTOR / ENGINE >> 100300 ZYLINDERKOPF / CYLINDER HEAD

Update Date : 2020/05/28 Print Date : 2022/02/20

No.	Part Number	Part Name (POL)	Part Name (ENG)	QTY	IC	Serial No./PIN	Kg	Remarks
010	15221-01750	MOTORHAKE N	HOOK,ENGIN E	2			0.040	
020	01123-50814	BOLZEN	BOLT,SEMS	2			0.010	
030	15841-96020	STOPFEN	PLUG	1			0.020	
040	1G677-03040	KOMP.ZYLIN DERKOPF	COMP.CYLIN DER HEAD	1			11.700	
050	15321-96260	KAPPE	CAP,SEALING	1			0.014	
060	15261-96010	STOPFEN	PLUG	2			0.002	
070	16261-13540	EINLASSVEN TILFUEHRUN G	GUIDE,INLET VALVE	4			0.020	
080	16261-13560	AUSLASSVEN TILFUEHRUN G	GUIDE,EXHA UST VALVE	4			0.019	
090	15261-03370	STOEPSEL,A BDICHTUNG	CAP,SEALING	3			0.005	
100	16241-03450	ZYLINDERKO PFSCHRAUB E	BOLT,HEAD (CYLINDER)	16			0.050	
105	16216-03450	ZYLINDERKO PFSCHRAUB E	BOLT,CYLIND ER HEAD	2			0.070	
110	16394-03313	ZYLINDERKO PFDICHTUNG	GASKET,CYLI NDER HEAD	1			0.200	

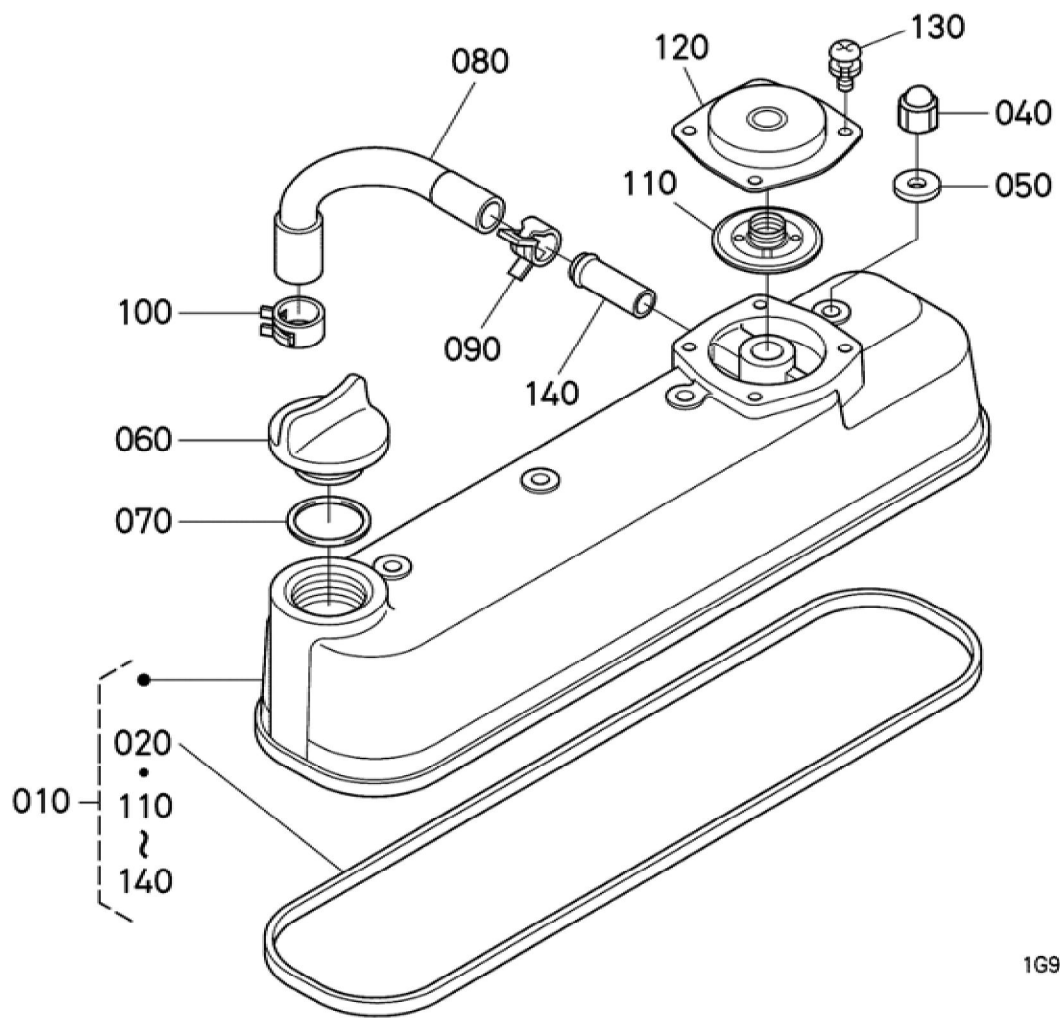


BKIDA5064 >> F3890-EU >> MOTOR / ENGINE >> 100400 GETRIEBE GEHAEUSE / GEAR CASE

Update Date : 2020/05/28 Print Date : 2022/02/20

No.	Part Number	Part Name (POL)	Part Name (ENG)	QTY	IC	Serial No./PIN	Kg	Remarks
010	1J422-04022	KMP.GETRIEBEGEHAEUSE	COMP.CASE, GEAR	1			2.360	
020	16241-96020	STOPFEN	PLUG	2			0.015	
025	15521-96020	STOPFEN	PLUG	1			0.003	
030	04011-50180	SCHEIBE	WASHER,PLAIN	1			0.012	
040	15241-32290	VERBINDUNGSSTUECK	JOINT,PIPE	1			0.053	
050	1J050-36950	FEDER	SPRING	1			0.004	
060	1J050-36930	UEBERLAUFVENTIL	VALVE (RELIEF)	1			0.005	
070	1J050-35070	ROTOR KOMP.	ROTOR,ASSY (OIL PUMP)	1			0.244	
080	1J050-35132	DECKEL, OELPUMPE	COVER(OIL PUMP)	1			0.085	
090	03017-50614	SCHRAUBE	SCREW,BINDING(PHILLIPS)	5			0.005	
100	16245-91540	STEBBOLZEN	STUD	2			0.005	
110	16264-04132	DICHTUNG	GASKET,GEAR CASE	1			0.010	
120	01023-50645	BOLZEN	BOLT,SEMS	3			0.010	
130	01023-50650	BOLZEN	BOLT,SEMS	4			0.012	
140	01023-50655	BOLZEN	BOLT,SEMS	4			0.012	
150	15841-91040	BOLZEN	BOLT	1			0.010	
160	16241-91040	BOLZEN	BOLT	1			0.015	
170	16245-91530	STEBBOLZEN	STUD	1			0.010	
180	02751-50060	MUTTER	NUT,FLANGE	1			0.005	
190	16241-04212	OELDICHTUNGSRING	SEAL,OIL	1			0.012	
210	16264-83342	DECKEL, GETRIEBEGEHAEUSE	COVER,GEAR CASE	1			0.010	

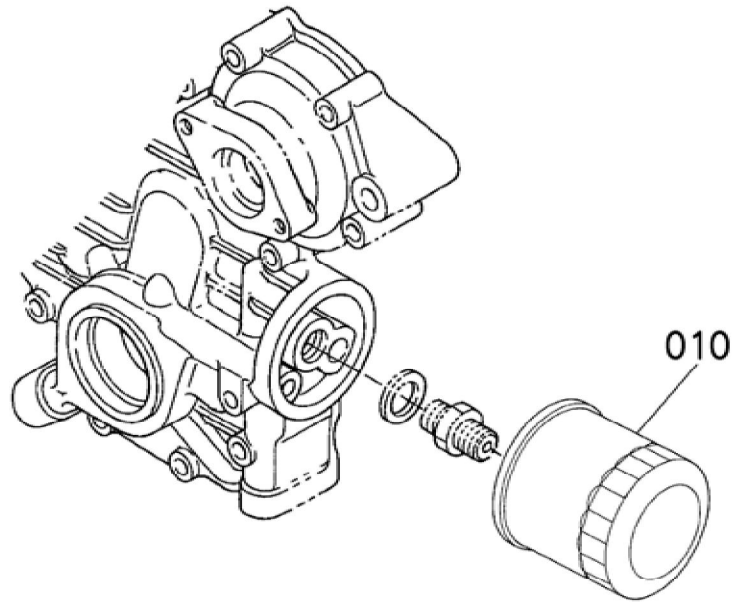
Update Date : 2020/05/28 Print Date : 2022/02/20



BKIDA5064 >> F3890-EU >> MOTOR / ENGINE >> 100500 ZYLINDERKOPF-DECKEL / HEAD COVER

Update Date : 2020/05/28 Print Date : 2022/02/20

No.	Part Number	Part Name (POL)	Part Name (ENG)	QTY	IC	Serial No./PIN	Kg	Remarks
010	1G072-14506	ZYLINDERKOPFHAUBE	ASSY COVER,CYL. HEAD	1		<=1FKZ999	0.950	
010	1G072-14507	ZYLINDERKOPFHAUBE	ASSY COVER,CYL. HEAD	1	>>	>=1FJ0001	0.950	
010	1G072-14508	DECKEL OBEN,KOMP.	ASSY COVER,CYL. HEAD	1	>>	>=1JA0001	0.970	
020	16241-14520	VENTILDECKELDICHUNG	GASKET,HEAD COVER	1			0.012	
040	15952-92330	MUTTER	NUT,CAP	4			0.010	
050	15951-96660	DICHTUNGSPLATTE	PACKING	4			0.001	
060	E9151-33140	OELEINFUELLSTOPFEN	PLUG(OIL FILLER)	1			0.017	
070	1J001-96770	O RING	O RING	1			0.001	
080	1G032-05510	ENTLUEFTUNGSRÖHR	TUBE,BREATHER	1		<=1JMZ999	0.017	
080	1G032-05512	ENTLUFTUNGSRÖHR	TUBE,BREATHER	1	>>	>=1JN0001	0.017	
090	09318-88150	SCHLAUCHBINDER	CLAMPHOSE	1			0.004	
100	16259-05580	SCHLAUCHBINDER	BAND,PIPE	1			0.030	
110	1G911-05203	ENTLUEFTER	COMP VALVE,BREATHER	1			0.010	
120	1G801-05120	ENTLUEFTERDECKEL	COVER,BREATHER	1			0.035	
130	03024-50510	SCHRAUBE	SCREW,SEMS(PAN HEAD)	4			0.002	
140	17331-73342	WASSERROHR	PIPE,WATER RETURN	1			0.010	



16615-003-11



Download the full PDF manual instantly.

Our customer service e-mail:

aservicemanualpdf@yahoo.com