

BKIDK0606 >> B2530DC >> MOTOR / ENGINE >> 000100 KURBELGHAEUSE / CRANKCASE

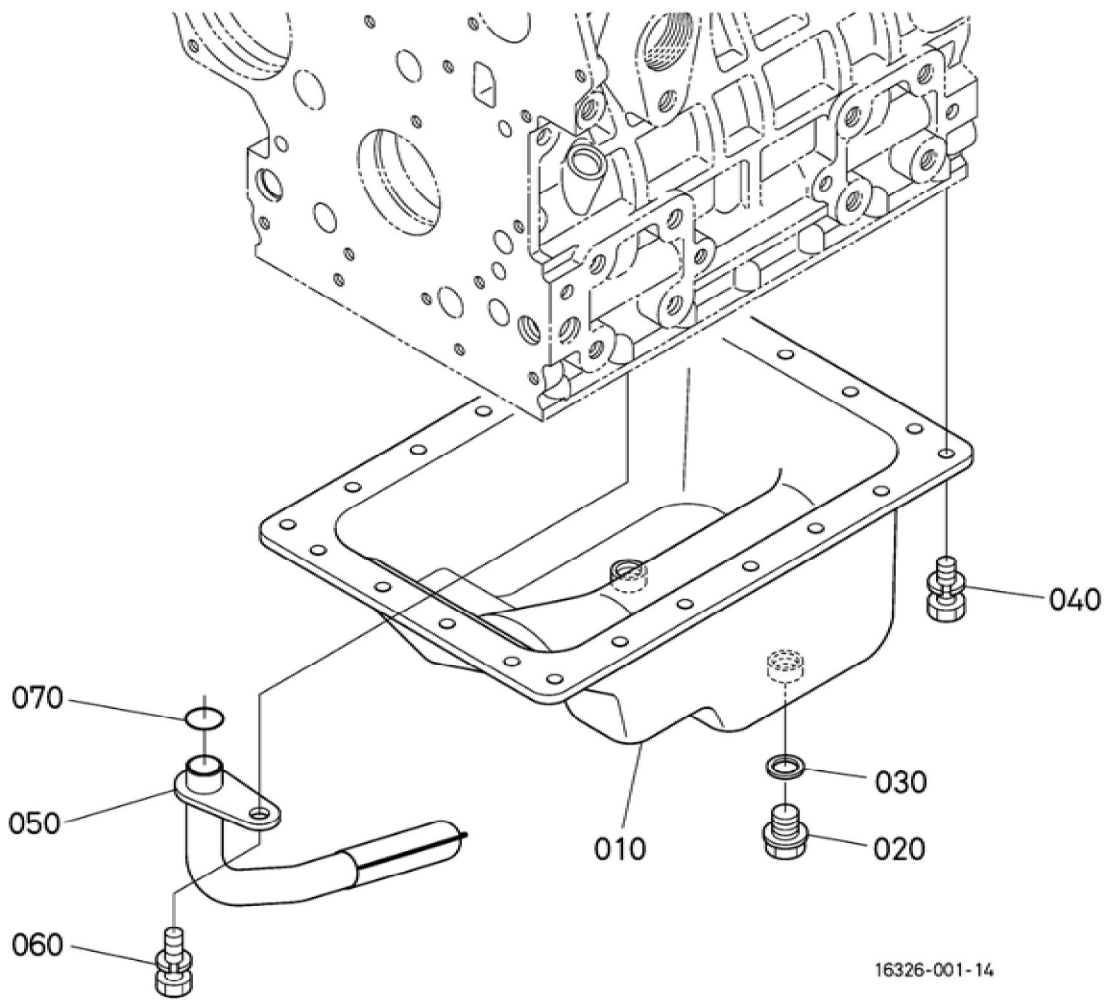
Update Date : 27-04-2020 Print Date : 07-02-2022

No.	Part Number	Part Name (POL)	Part Name (ENG)	QTY	IC	Serial No./PIN	Kg	Remarks
010	1G062-01013	KOMP.KURBELGEHAEUSE	CRANKCASE, COMP	1		<=9G4253	31.000	
010	1G482-01010	KOMP.KURBELGEHAEUSE	COMP.CRANKCASE	1	>>	>=9J0001	0.000	
010	1G482-01012	KOMP.KURBELGEHAEUSE	CRANKCASE, COMP	1	>>	>=9Y0001	0.000	ORDER BY REF.No.010 NEW PART.
010	1G062-01013	KOMP.KURBELGEHAEUSE	CRANKCASE, COMP	1	>>	>=AQ0001	31.000	
020	15451-96270	KAPPE	CAP,SEALING	4			0.010	
030	15221-03490	STOPFEN	CAP,SEALING	1			0.020	
040	15261-96010	STOPFEN	PLUG	3			0.002	
050	16683-96020	STOPFEN	PLUG	1			0.088	
060	16241-96010	STOPFEN	PLUG	3			0.007	
070	15521-96020	STOPFEN	PLUG	2			0.003	
080	17391-96160	STOPFEN	PLUG,EXPANSION	3			0.003	
090	16271-96160	STOPFEN	PLUG,EXPANSION	1			0.025	
100	05012-00508	ZYLINDERSTIFT	PIN,STRAIGHT	2			0.001	
110	05012-00814	ZYLINDERSTIFT	PIN,STRAIGHT	2			0.006	
120	05012-00610	ZYLINDERSTIFT	PIN,STRAIGHT	2			0.003	
130	15231-33960	ROHRSTIFT	PIN,PIPE	2			0.001	
140	16241-33650	ROHRSTIFT	PIN,PIPE	1			0.002	
150	16241-96262	STOPFEN	PLUG,FUEL CAMSHAFT	1			0.007	
160	16261-56280	STARTFEDERSTIFT	PIN(START SPRING)	1			0.004	
170	16251-24060	WELLE KOMP.	COMP SHAFT,IDLE	1			0.180	
190	15521-93610	ANSCHLAGSCHRAUBE	SCREW,SET	1			0.002	
200	16271-55350	BUCHSE	BUSHING (GEAR,GOVERNOR)	1			0.060	
210	15221-33610	STOPFEN	PLUG	1		<=APZ999	0.009	

BKIDK0606 >> B2530DC >> MOTOR / ENGINE >> 000100 KURBELGHAUSE / CRANKCASE

Update Date : 27-04-2020 Print Date : 07-02-2022

No.	Part Number	Part Name (POL)	Part Name (ENG)	QTY	IC	Serial No./PIN	Kg	Remarks
210	1G896-33610	BOLZEN	PLUG	1	NI	>=AQ0001	0.008	
220	15021-33660	DICHTUNGSP LATTE	PACKING	1			0.001	
230	15321-73340	WASSERROH R	PIPE(WATER RETURN)	1			0.016	
240	1G513-36550	STOPFEN, OELMESSST AB	PLUG,OIL GAUGE	1			0.004	

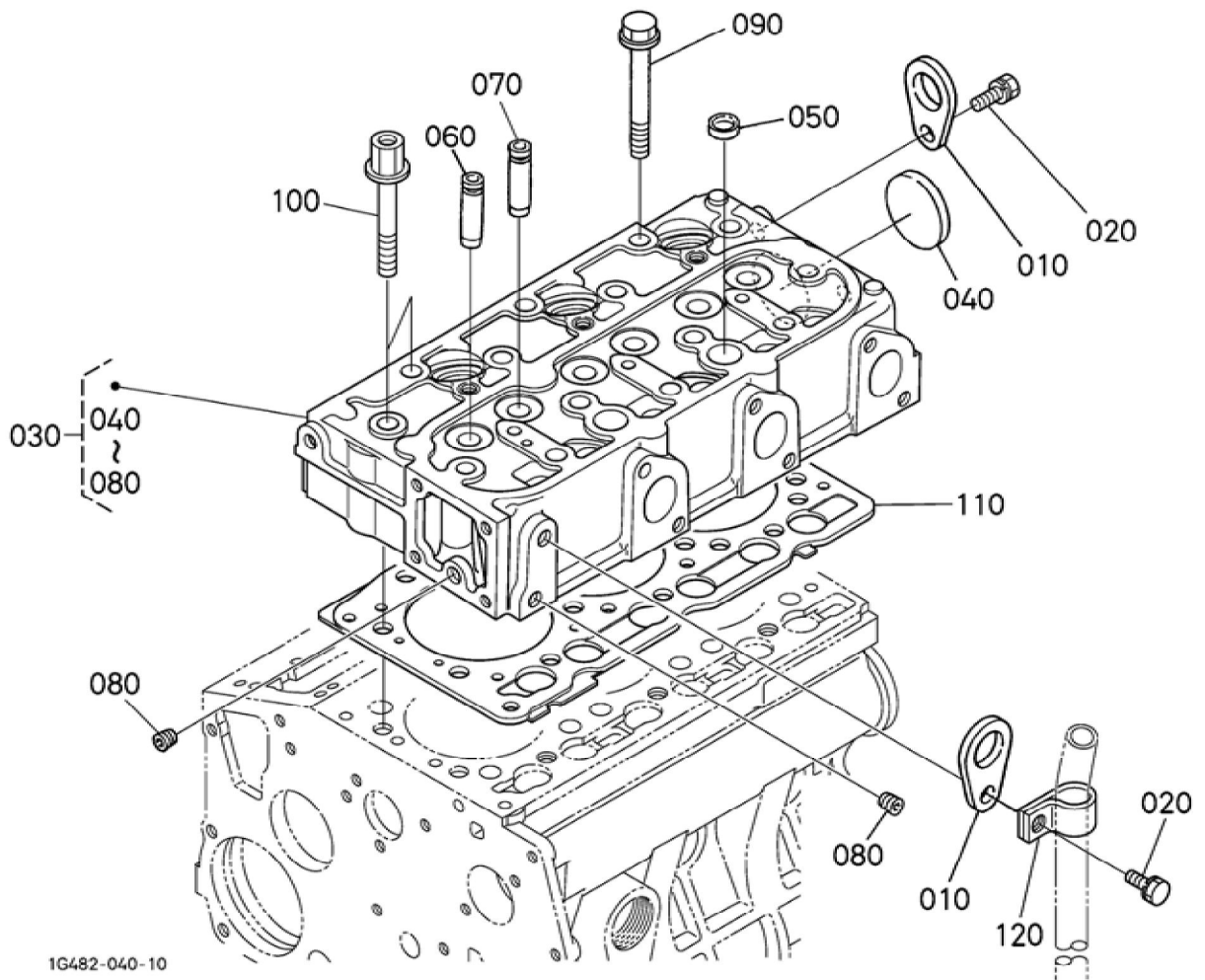


BKIDK0606 >> B2530DC >> MOTOR / ENGINE >> 000200 OL-FANGER / OIL PAN

Update Date : 27-04-2020 Print Date : 07-02-2022

No.	Part Number	Part Name (POL)	Part Name (ENG)	QTY	IC	Serial No./PIN	Kg	Remarks
010	16326-01502	KOMP.OELW ANNE	COMP.OIL PAN	1			1.325	
020	13901-33750	ENTLEERUN GSSTOPFEN	PLUG,DRAIN	2			0.025	
030	6C090-58960	DICHTUNGSP LATTE	GASKET	2			0.005	
040	16221-91122	BOLZEN	BOLT,SEMS	22		<=7Z5135	0.005	BESTELLEN SIE BITTE POS.040 NEUE TEILE
040	01023-50614	BOLZEN	BOLT,SEMS	22	>>	>=8A0001	0.005	
050	16326-32110	OELFILTER	FILTER(OIL)	1		<=9C7110	0.094	
050	16326-32112	OELFILTER	FILTER,OIL	1	>>	>=9E0001	0.094	
060	01123-50816	SCHRAUBE	BOLT,SEMS	1			0.011	
070	04814-00160	O RING	O RING	1			0.001	

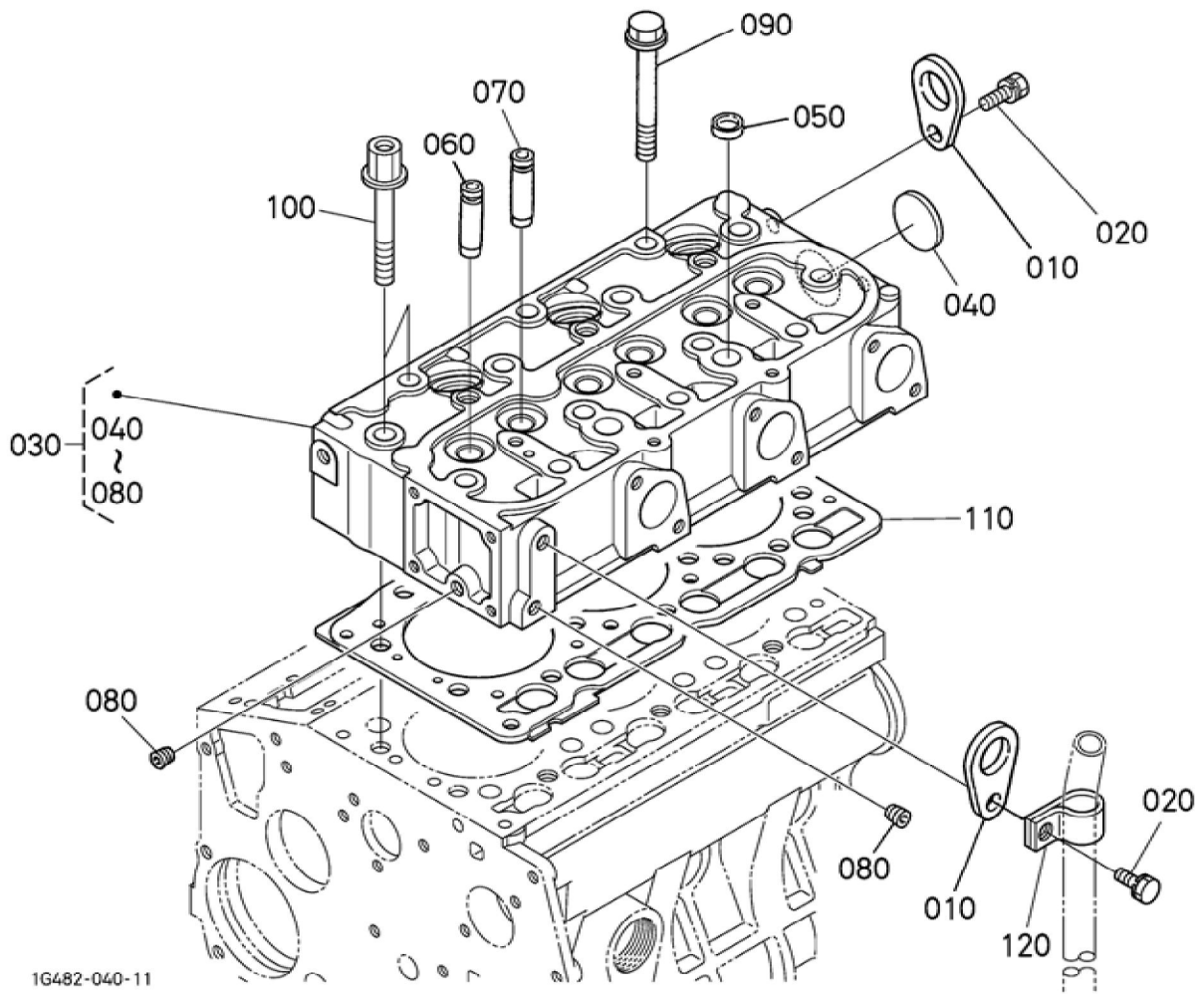
Update Date : 27-04-2020 Print Date : 07-02-2022



Update Date : 27-04-2020 Print Date : 07-02-2022

No.	Part Number	Part Name (POL)	Part Name (ENG)	QTY	IC	Serial No./PIN	Kg	Remarks
010	15221-01750	MOTORHAKE N	HOOK,ENGIN E	2			0.040	
020	01123-50814	BOLZEN	BOLT,SEMS	2			0.010	
030	1G065-03043	KOMP.ZYLIN DERKOPF	HEAD,CYL,C OMP	1		<=7RZ999	9.400	
030	1G065-03044	KOMP.ZYLIN DERKOPF	HEAD,CYL,C OMP	1	>>	>=7S0001	9.400	
040	15321-96260	KAPPE	CAP,SEALING	1			0.014	
050	15261-03370	STOEPSEL,A BDICHTUNG	CAP,SEALING	2			0.005	
060	16261-13540	EINLASSVEN TILFUEHRUN G	GUIDE,INLET VALVE	3			0.020	
070	16261-13560	AUSLASSVEN TILFUEHRUN G	GUIDE,EXHA UST VALVE	3			0.019	
080	15261-96010	STOPFEN	PLUG	2			0.002	
090	16241-03450	ZYLINDERKO PFSCHRAUB E	BOLT,HEAD (CYLINDER)	12			0.050	
100	16271-03450	ZYLINDERKO PFSCHRAUB E	BOLT,CYLIND ER HEAD	2			0.075	
110	1G063-03310	ZYLINDERKO PFDICHTUNG	GASKET (HEAD,CYL)	1			0.160	
120	52200-41160	KABELKLEM ME	CLAMP,CORD	1			0.010	

Update Date : 27-04-2020 Print Date : 07-02-2022

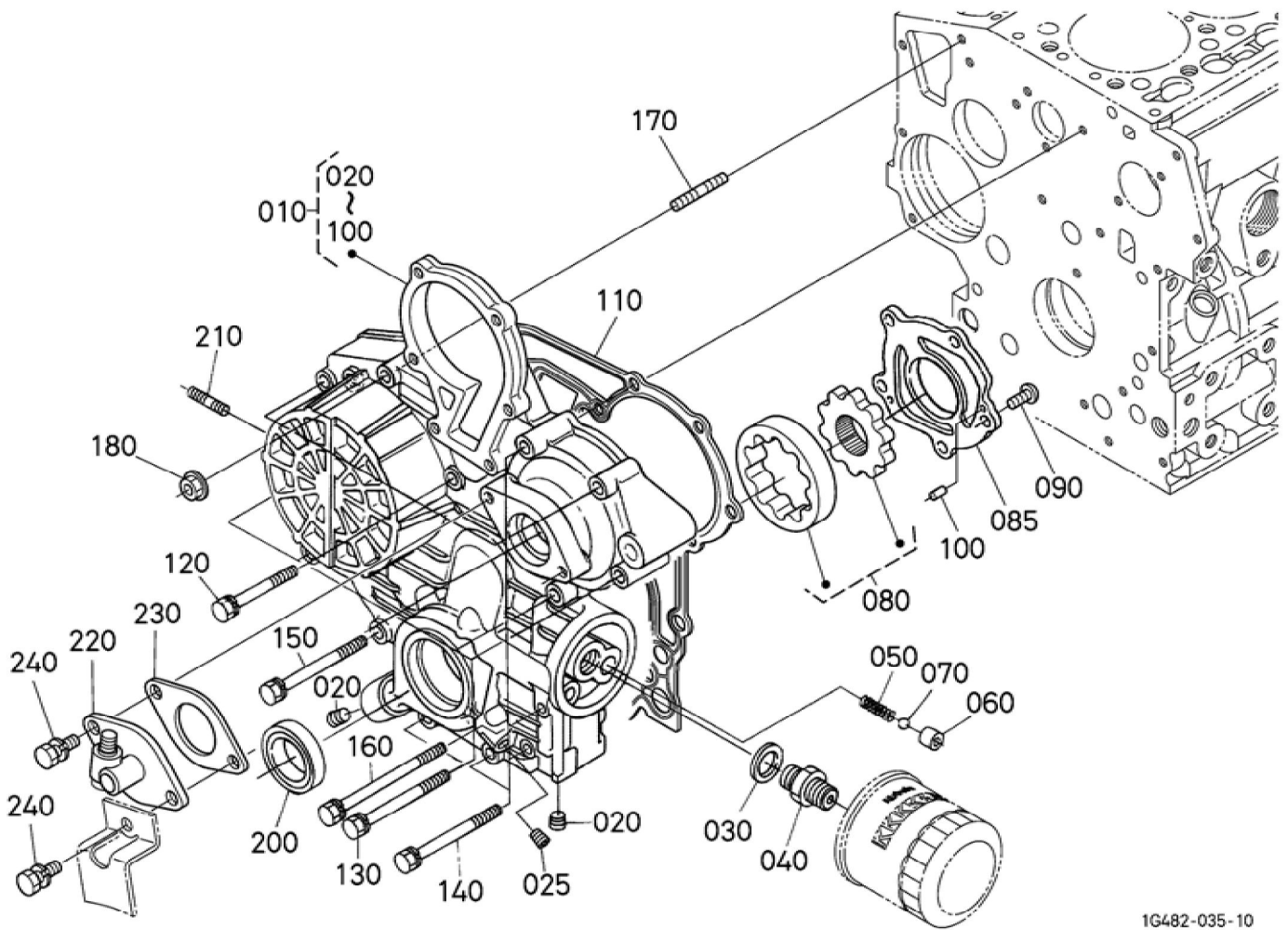


1G482-040-11

Update Date : 27-04-2020 Print Date : 07-02-2022

No.	Part Number	Part Name (POL)	Part Name (ENG)	QTY	IC	Serial No./PIN	Kg	Remarks
010	15221-01750	MOTORHAKE N	HOOK,ENGINE	2			0.040	
020	01123-50814	BOLZEN	BOLT,SEMS	2			0.010	
030	1G065-03044	KOMP.ZYLIN DERKOPF	HEAD,CYL,C OMP	1			9.400	
040	15321-96260	KAPPE	CAP,SEALING	1			0.014	
050	15261-03370	STOEPSEL,A BDICHTUNG	CAP,SEALING	2			0.005	
060	16261-13540	EINLASSVEN TILFUEHRUN G	GUIDE,INLET VALVE	3			0.020	
070	16261-13560	AUSLASSVEN TILFUEHRUN G	GUIDE,EXHA UST VALVE	3			0.019	
080	15261-96010	STOPFEN	PLUG	2			0.002	
090	16241-03450	ZYLINDERKO PFSCHRAUB E	BOLT,HEAD (CYLINDER)	12			0.050	
100	16271-03450	ZYLINDERKO PFSCHRAUB E	BOLT,CYLIND ER HEAD	2			0.075	
110	1G063-03310	ZYLINDERKO PFDICHTUNG	GASKET (HEAD,CYL)	1			0.160	
120	52200-41160	KABELKLEM ME	CLAMP,CORD	1			0.010	

Update Date : 27-04-2020 Print Date : 07-02-2022





Download the full PDF manual instantly.

Our customer service e-mail:

aservicemanualpdf@yahoo.com