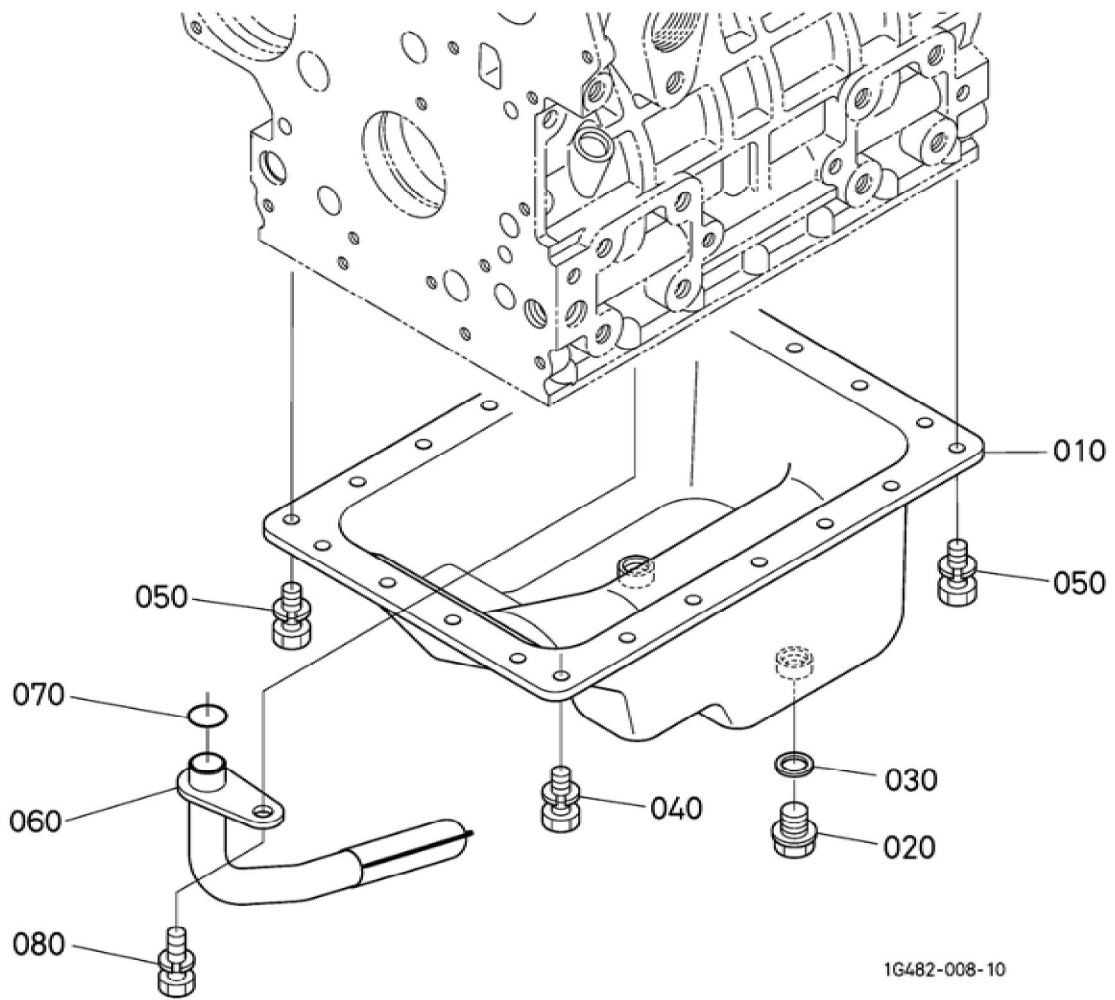


BKIDK5278 >> B2231HDBC-S5 >> MOTOR / ENGINE >> 000100 KURBELGHAEUSE / CRANKCASE

Update Date : 2020/05/07 Print Date : 2022/01/24

No.	Part Number	Part Name (POL)	Part Name (ENG)	QTY	IC	Serial No./PIN	Kg	Remarks
010	1G062-01013	KOMP.KURBELGEHAEUSE	CRANKCASE, COMP	1			31.000	
020	15451-96270	KAPPE	CAP,SEALING	4			0.010	
030	15221-03490	STOPFEN	CAP,SEALING	1			0.020	
040	15261-96010	STOPFEN	PLUG	3			0.002	
050	16683-96020	STOPFEN	PLUG	1			0.088	
060	16241-96010	STOPFEN	PLUG	3			0.007	
070	15521-96020	STOPFEN	PLUG	2			0.003	
080	17391-96160	STOPFEN	PLUG,EXPANSION	3			0.003	
090	16271-96160	STOPFEN	PLUG,EXPANSION	1			0.025	
100	05012-00508	ZYLINDERSTIFT	PIN,STRAIGHT	2			0.001	
110	05012-00814	ZYLINDERSTIFT	PIN,STRAIGHT	2			0.006	
120	05012-00610	ZYLINDERSTIFT	PIN,STRAIGHT	2			0.003	
130	15231-33960	ROHRSTIFT	PIN,PIPE	2			0.001	
140	16241-33650	ROHRSTIFT	PIN,PIPE	1			0.002	
150	16241-96262	STOPFEN	PLUG,FUEL CAMSHAFT	1			0.007	
160	16261-56280	STARTFEDERSTIFT	PIN(START SPRING)	1			0.004	
170	16251-24060	WELLE KOMP.	COMP SHAFT,IDLE	1			0.180	
180	15521-93610	ANSCHLAGSCHRAUBE	SCREW,SET	1			0.002	
190	16271-55350	BUCHSE	BUSHING (GEAR,GOVERNOR)	1			0.060	
200	1G896-33610	BOLZEN	PLUG	1			0.008	
210	15021-33660	DICHTUNGSPLATTE	PACKING	1			0.001	
220	16871-73020	GRP.ABLASSHAHN	COCK,ASSY (DRAIN)	1			0.034	
230	1G513-36550	STOPFEN, OELMESSSTAB	PLUG,OIL GAUGE	1			0.004	

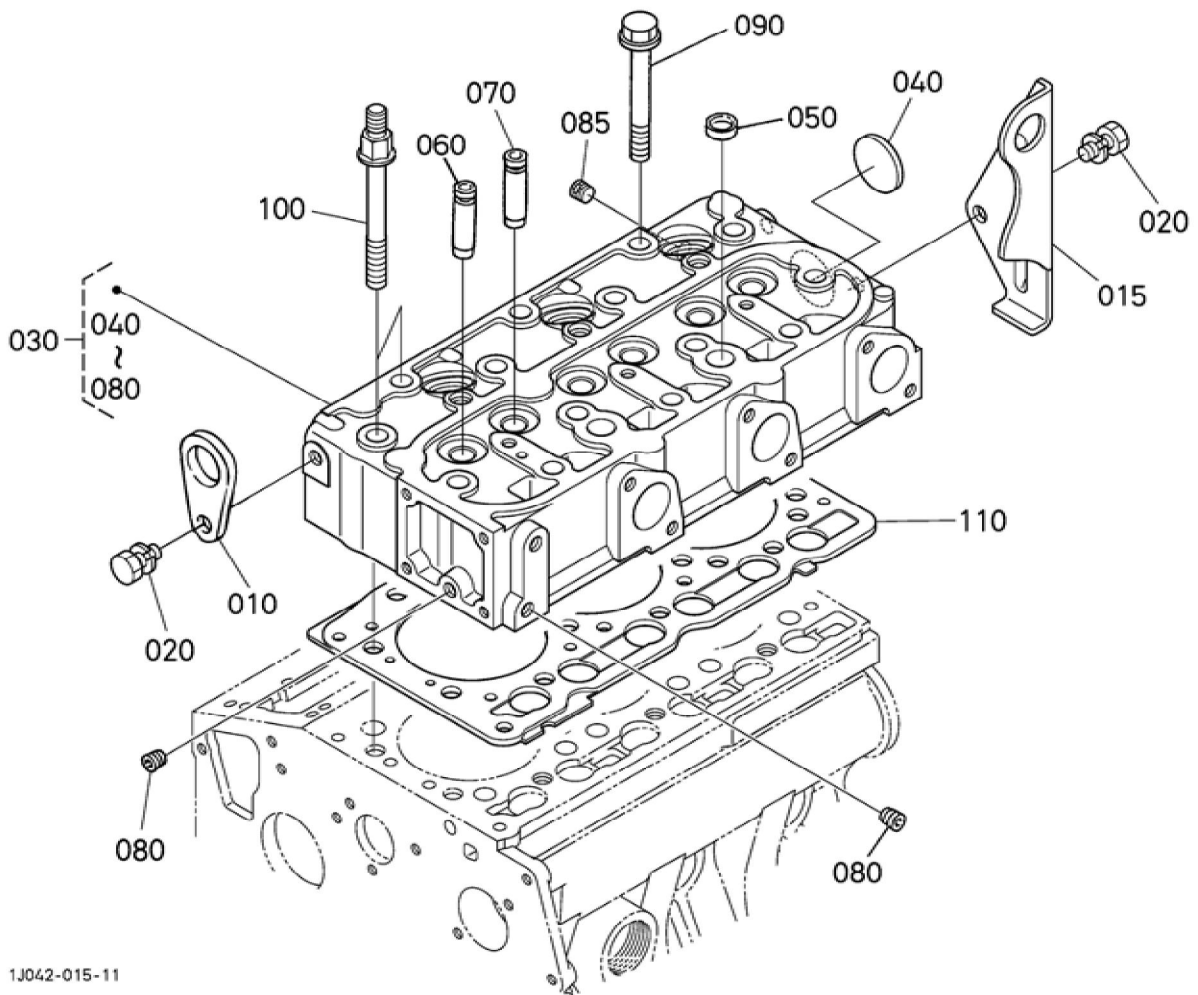


BKIDK5278 >> B2231HDBC-S5 >> MOTOR / ENGINE >> 000200 OELWANNE / OIL PAN

Update Date : 2020/05/07 Print Date : 2022/01/24

No.	Part Number	Part Name (POL)	Part Name (ENG)	QTY	IC	Serial No./PIN	Kg	Remarks
010	16326-01502	KOMP.OELW ANNE	COMP.OIL PAN	1			1.325	
020	13901-33750	ENTLEERUN GSSTOPFEN	PLUG,DRAIN	2			0.025	
030	6C090-58960	DICHTUNGSP LATTE	GASKET	2			0.005	
040	01023-50614	BOLZEN	BOLT,SEMS	20			0.005	
050	01023-50614	BOLZEN	BOLT,SEMS	2			0.005	
060	16326-32112	OELFILTER	FILTER,OIL	1			0.094	
070	04814-00160	O RING	O RING	1			0.001	
080	01123-50816	SCHRAUBE	BOLT,SEMS	1			0.011	

Update Date : 2020/05/07 Print Date : 2022/01/24

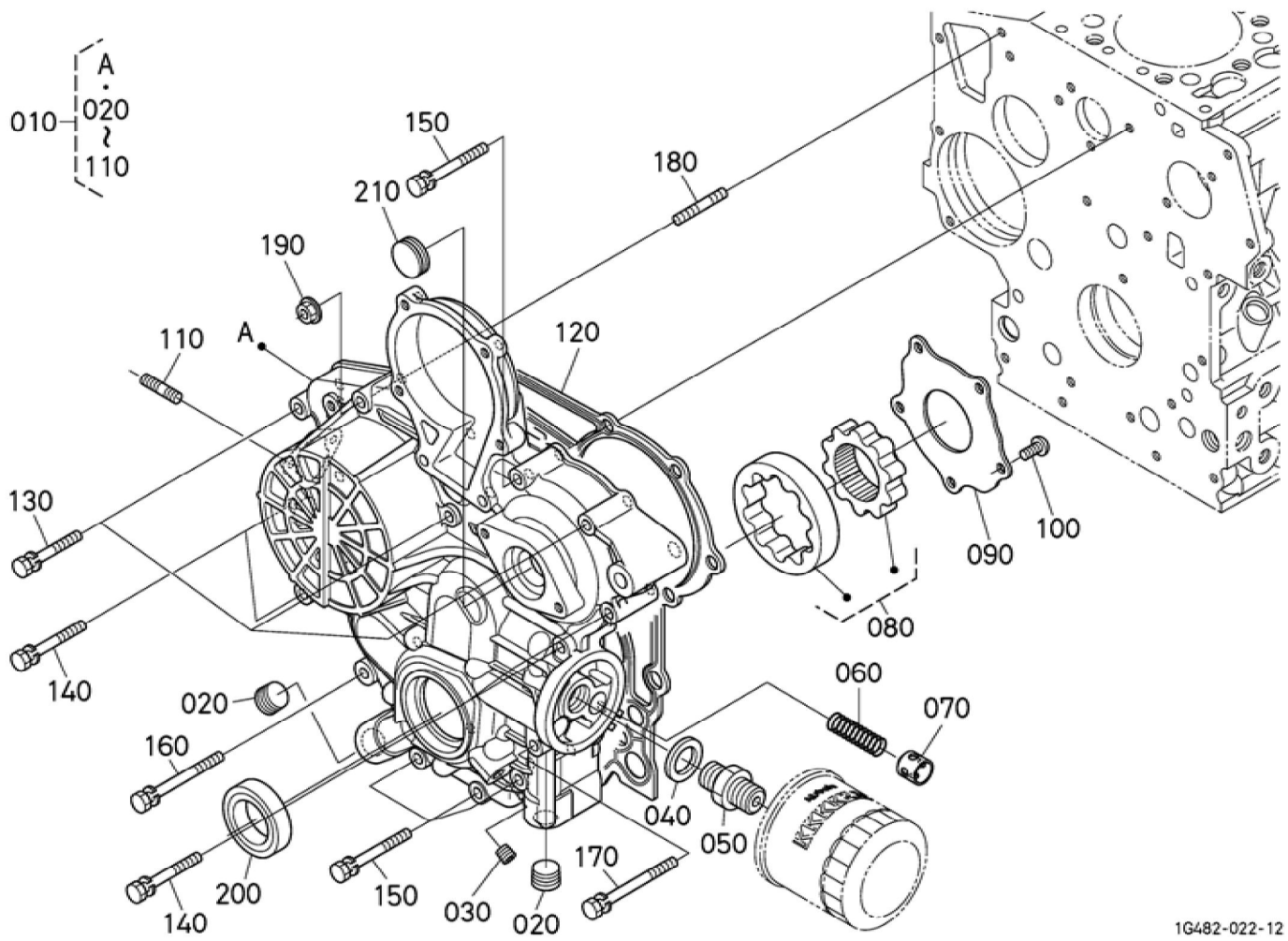


BKIDK5278 >> B2231HDBC-S5 >> MOTOR / ENGINE >> 000300 ZYLINDERKOPF / CYLINDER HEAD

Update Date : 2020/05/07 Print Date : 2022/01/24

No.	Part Number	Part Name (POL)	Part Name (ENG)	QTY	IC	Serial No./PIN	Kg	Remarks
010	15221-01750	MOTORHAKEN	HOOK,ENGINE	1			0.040	
015	16241-01770	MOTORHAKEN	HOOK,ENGINE	1			0.175	
020	01123-50814	BOLZEN	BOLT,SEMS	2			0.010	
030	1J096-03040	KOMP.ZYLINDERKOPF	HEAD,CYLINDER COMP	1			9.300	
040	15321-96260	KAPPE	CAP,SEALING	1			0.014	
050	15261-03370	STOEPSEL,ABDICHTUNG	CAP,SEALING	2			0.005	
060	16261-13540	EINLASSVENTILFUEHRUNG	GUIDE,INLET VALVE	3			0.020	
070	16261-13560	AUSLASSVENTILFUEHRUNG	GUIDE,EXHAUST VALVE	3			0.019	
080	15261-96010	STOPFEN	PLUG	2			0.002	
085	15841-96020	STOPFEN	PLUG	1			0.020	
090	16241-03450	ZYLINDERKOPFSCHRAUBE	BOLT,HEAD (CYLINDER)	12			0.050	
100	1G879-03450	ZYLINDERKOPFSCHRAUBE	BOLT,CYLINDER HEAD	2			0.075	
110	1G063-03310	ZYLINDERKOPFDICHTUNG	GASKET (HEAD,CYL)	1			0.160	

Update Date : 2020/05/07 Print Date : 2022/01/24

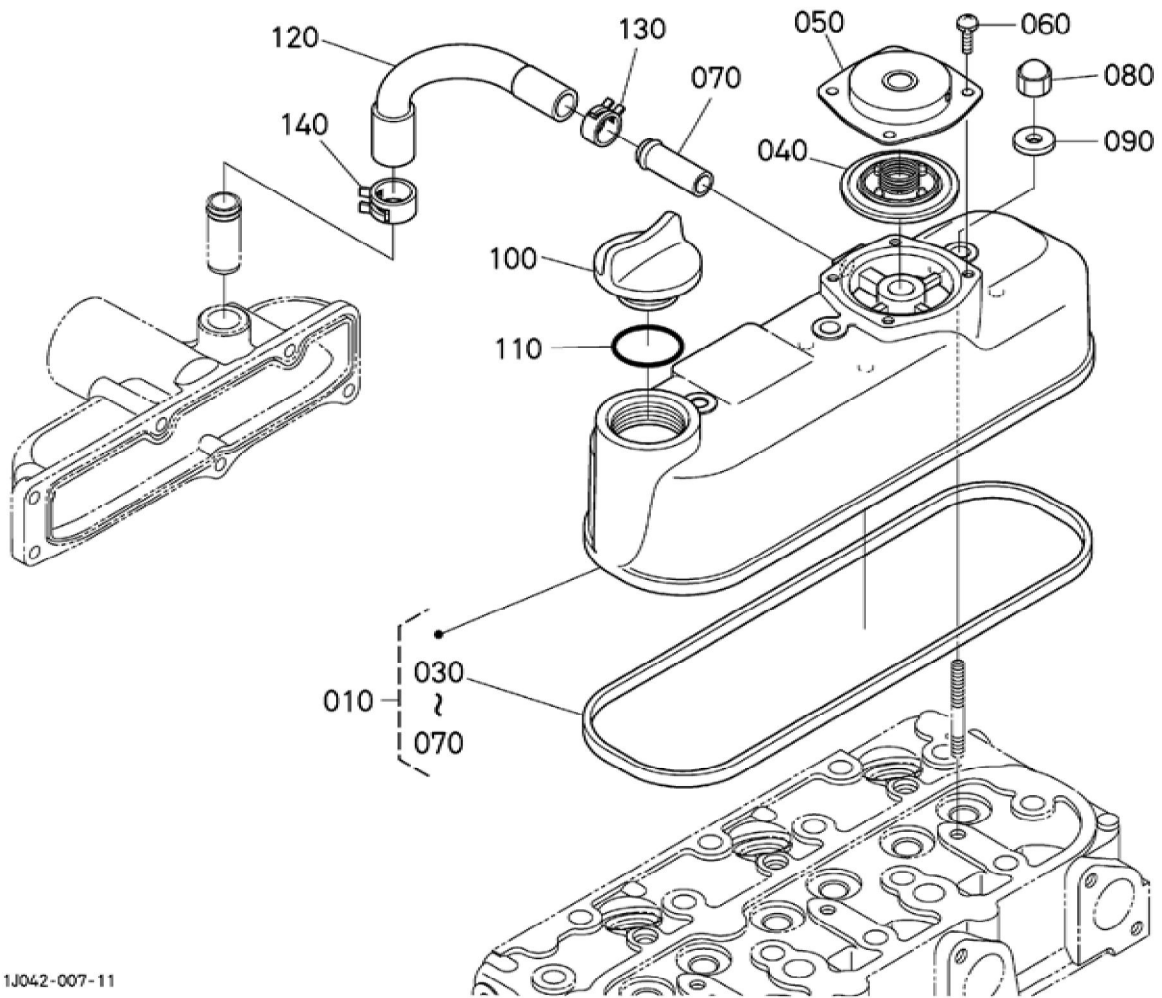


BKIDK5278 >> B2231HDBC-S5 >> MOTOR / ENGINE >> 000400 GETRIEBE GEHAEUSE / GEAR CASE

Update Date : 2020/05/07 Print Date : 2022/01/24

No.	Part Number	Part Name (POL)	Part Name (ENG)	QTY	IC	Serial No./PIN	Kg	Remarks
010	1G483-04020	KMP.GETRIEBEGEHAEUSE	CASE,GEAR,COMP	1			2.430	
020	16241-96020	STOPFEN	PLUG	2			0.015	
030	15521-96020	STOPFEN	PLUG	1			0.003	
040	04011-50180	SCHEIBE	WASHER,PLAIN	1			0.012	
050	15241-32290	VERBINDUNGSSTUECK	JOINT,PIPE	1			0.053	
060	1J050-36950	FEDER	SPRING	1			0.004	
070	1J050-36930	UEBERLAUFVENTIL	VALVE (RELIEF)	1			0.005	
080	1J050-35070	ROTOR KOMP.	ROTOR,ASSY (OIL PUMP)	1			0.244	
090	1J050-35132	DECKEL, OELPUMPE	COVER(OIL PUMP)	1			0.085	
100	03017-50614	SCHRAUBE	SCREW,BINDING(PHILLIPS)	5			0.005	
110	16245-91540	STEBBOLZEN	STUD	2			0.005	
120	16264-04132	DICHTUNG	GASKET,GEAR CASE	1			0.010	
130	01023-50645	BOLZEN	BOLT,SEMS	3			0.010	
140	01023-50650	BOLZEN	BOLT,SEMS	4			0.012	
150	01023-50655	BOLZEN	BOLT,SEMS	4			0.012	
160	01023-50665	BOLZEN	BOLT,SEMS	1			0.015	
170	16241-91040	BOLZEN	BOLT	1			0.015	
180	16245-91530	STEBBOLZEN	STUD	1			0.010	
190	02751-50060	MUTTER	NUT,FLANGE	1			0.005	
200	16241-04212	OELDICHTUNGSRING	SEAL,OIL	1			0.012	
210	16264-83342	DECKEL, GETRIEBEGEHAEUSE	COVER,GEAR CASE	1			0.010	

Update Date : 2020/05/07 Print Date : 2022/01/24





Download the full PDF manual instantly.

Our customer service e-mail:

aservicemanualpdf@yahoo.com