

Product: EXCAVATOR

Model: 568 FM EXCAVATOR YJX

Configuration: 568 Forest Machines YJX00001-UP (MACHINE) POWERED BY C9.3 Engine

Disassembly and Assembly 568 Forest Machines Machine Systems

Media Number -UENR0109-03

Publication Date -01/01/2011

Date Updated -31/07/2017

i03863290

Travel Motor - Disassemble

SMCS - 4351-015

Disassembly Procedure

Table 1

Required Tools			
Tool	Part Number	Part Description	Qty
A	1U-7506	Adapter	1
	8T-4244	Nut	6
	8T-4223	Hard Washer	6
	-	M12 x 1.75 by 250 mm (10 inch) Threaded Rod	1
B	8T-0651	Bolt	1
	8T-4167	Hard Washer	1
C	3E-3882	Eyebolt	1
D	1P-1859	Retaining Ring Pliers	1
E	1P-0510	Driver Gp	1
	9S-9152	Bearing Puller Gp	1
F	1P-1861	Retaining Ring Pliers	1

Start By:

- a. Remove the travel motor.
 1. Fasten the travel motor in Tooling (A) in a vertical position. The weight of the travel motor is approximately 60 kg (132 lb).

- Put an alignment mark across the head and the body of the travel motor for assembly purposes. The head must be reinstalled in the head's original position on the body of the travel motor.



Illustration 1

g00887295

WARNING

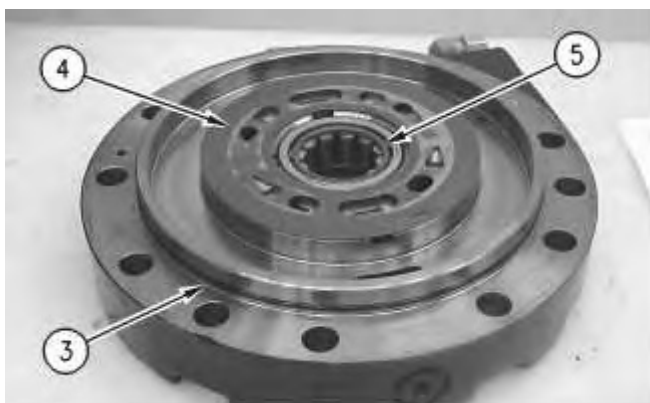
Personal injury can result from being struck by parts propelled by a released spring force.

Make sure to wear all necessary protective equipment.

Follow the recommended procedure and use all recommended tooling to release the spring force.

Note: During the removal of head (2) from the travel motor, be careful not to damage the mating surfaces of the components.

- Remove bolts (1).
- Remove head (2) from the body of the travel motor.



5. Remove O-ring seal (3), port plate (4), and bearing (5).

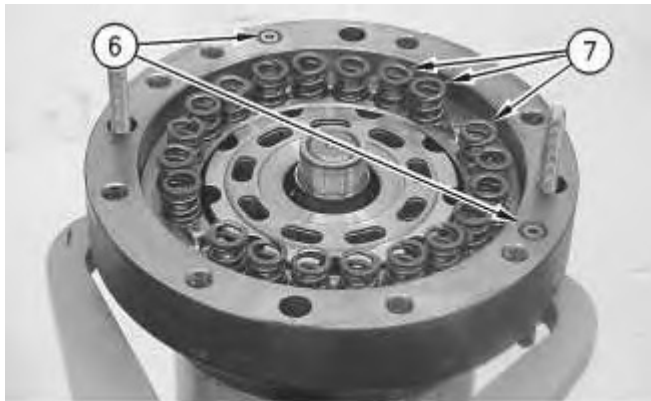


Illustration 3

6. Remove O-ring seals (6). Remove springs (7).

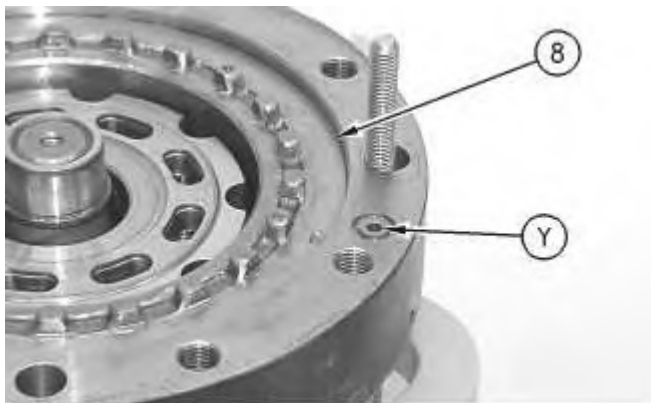


Illustration 4

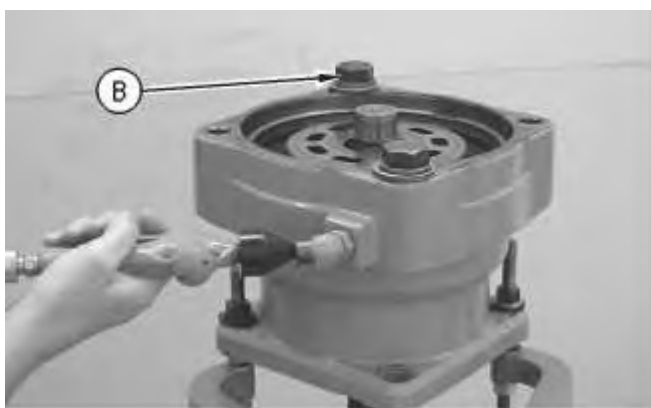


Illustration 5

This is an example of the use of Tooling (B).

7. Place a shop towel over brake piston (8). Retain brake piston (8) with Tooling (B). Apply approximately 525 kPa (75 psi) of shop air pressure to brake release Port (Y). Make sure that the shop air pressure is free of water. Brake piston (8) will move up the piston guide, and out of the piston guide. Remove brake piston (8) from the body of the travel motor.



Illustration 6

g00887336

8. Remove seal (9) and backup ring (10) from the brake piston.
9. Remove seal (11) and backup ring (12) from the brake piston.

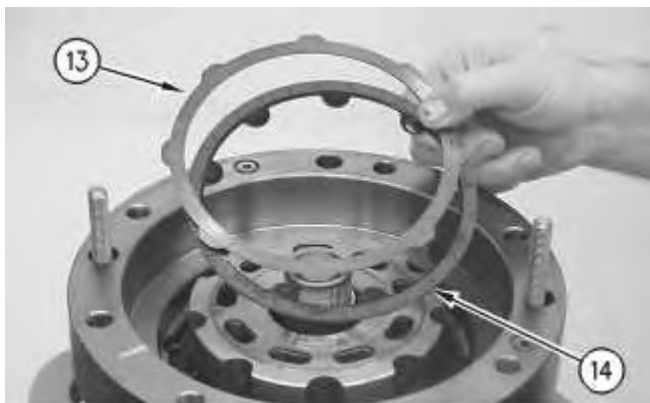


Illustration 7

g00887355

10. Remove plates (13) and friction discs (14).

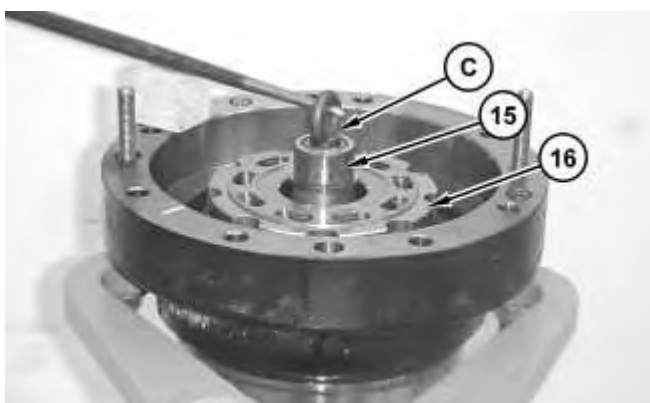


Illustration 8

g02107957

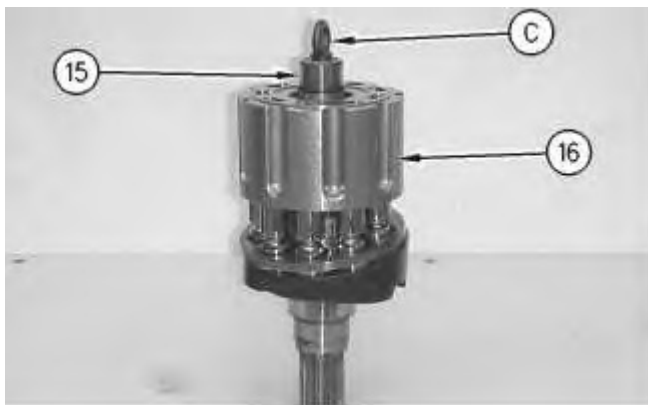


Illustration 9

g00887405

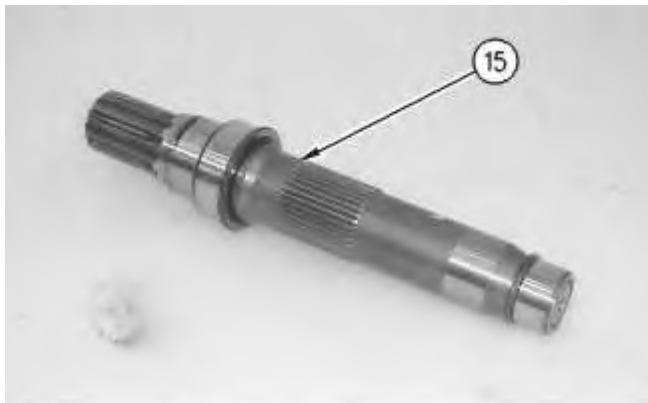


Illustration 10

g00887424

11. Install Tooling (C) into shaft (15). Use a prybar to remove the rotating assembly (16) from the housing.
12. Remove Tooling (C) from shaft (15).
13. Remove shaft (15) from rotating assembly (16).

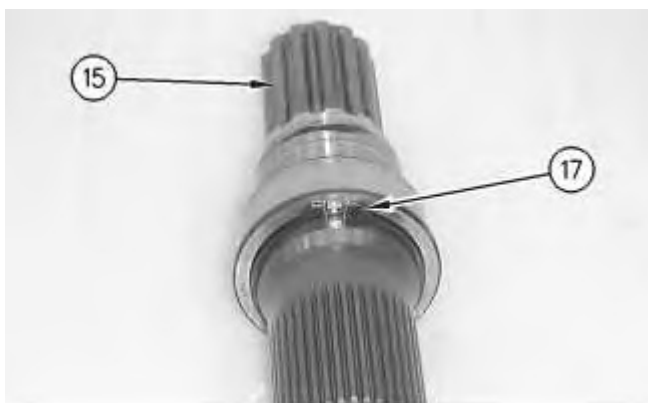


Illustration 11

g00887426

14. Use Tooling (D) in order to remove retaining ring (17) from shaft (15).

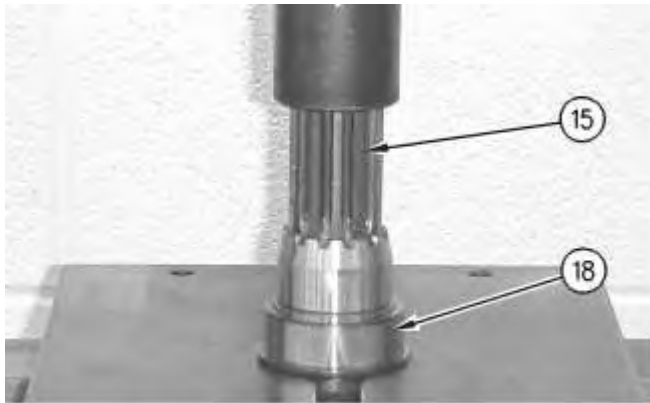


Illustration 12

g00887445

15. Use a suitable press in order to remove bearing race (18) from shaft (15).

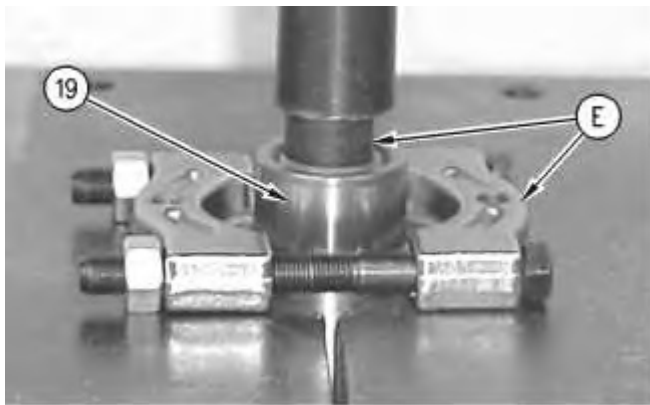


Illustration 13

g00887463

16. Rotate shaft (15). Use a suitable press and tooling (E) in order to remove bearing race (19) from shaft (15).



Illustration 14

g00887501

17. Remove cam plate (20) from barrel assembly (21).

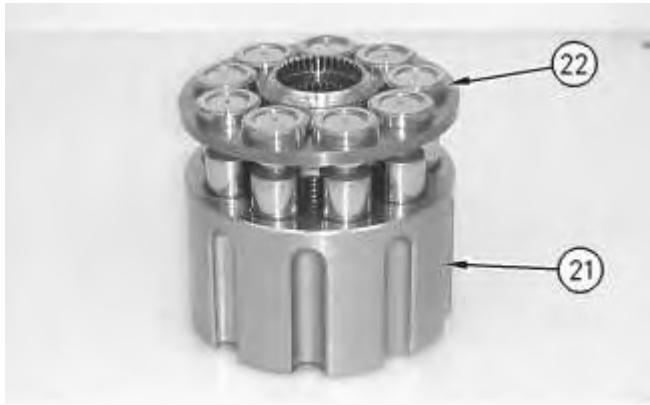


Illustration 15

g00887520

18. Remove piston assemblies and retainer plate (22) from barrel assembly (21).

Note: Place marks on the pistons and the barrel assembly. The pistons must be returned to the original position.



Illustration 16

g00887558

! WARNING

Personal injury can result from being struck by parts propelled by a released spring force.

Make sure to wear all necessary protective equipment.

Follow the recommended procedure and use all recommended tooling to release the spring force.

-
19. Remove ball (23) and springs (24).
-

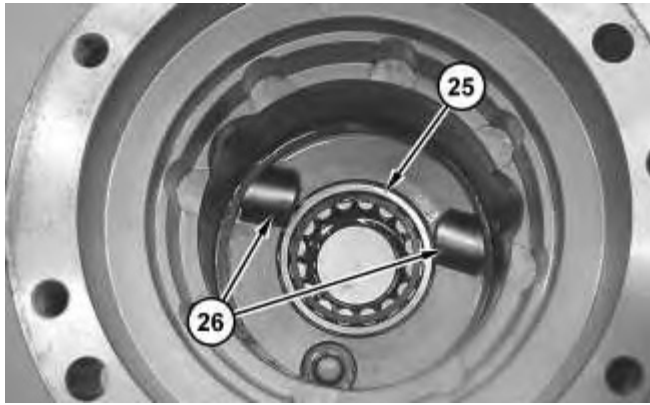


Illustration 17

g02107975

20. Remove bearing (25).
21. Remove keys (26) and locating pins (not shown) from the body of the travel motor.



Illustration 18

g00887589

22. Rotate the housing. Use Tooling (F) in order to remove retaining ring (27).
23. Remove lip seal (28).

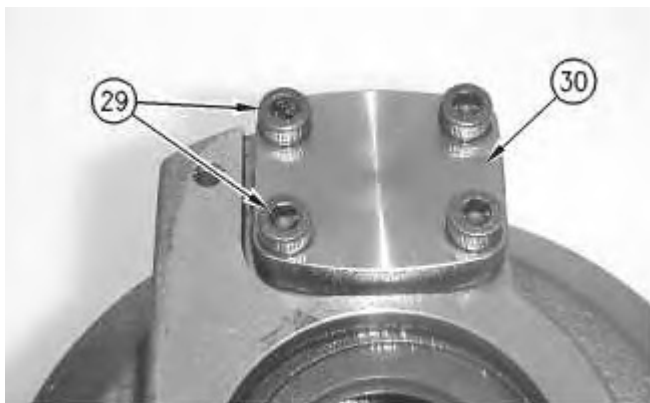


Illustration 19

g00887619

24. Remove bolts (29) and cover (30).



Download the full PDF manual instantly.

Our customer service e-mail:

aservicemanualpdf@yahoo.com